



## **BCL 608i** Bar Code Reader



© 2015

Leuze electronic GmbH + Co. KG

In der Braike 1

D-73277 Owen / Germany

Phone: +49 7021 573-0

Fax: +49 7021 573-199

<http://www.leuze.com>

<b>1</b>	<b>About this document</b> . . . . .	<b>6</b>
1.1	Used symbols and signal words . . . . .	6
<b>2</b>	<b>Safety</b> . . . . .	<b>7</b>
2.1	Intended use . . . . .	7
2.2	Foreseeable misuse . . . . .	7
2.3	Competent persons . . . . .	7
2.4	Exemption of liability . . . . .	8
2.5	Laser safety notices . . . . .	8
2.5.1	Laser safety notices– laser class 2 . . . . .	8
<b>3</b>	<b>Device description</b> . . . . .	<b>11</b>
3.1	Device overview . . . . .	11
3.2	Performance characteristics . . . . .	11
3.3	Device construction . . . . .	13
3.4	Connection technology . . . . .	14
3.5	Display elements . . . . .	14
3.5.1	Structure of the control panel . . . . .	14
3.5.2	Status display and operation . . . . .	15
3.5.3	LED indicators . . . . .	15
3.6	Operational controls . . . . .	16
3.7	External parameter memory . . . . .	16
<b>4</b>	<b>Functions</b> . . . . .	<b>17</b>
4.1	autoReflAct . . . . .	18
4.2	autoConfig . . . . .	19
<b>5</b>	<b>Reading techniques</b> . . . . .	<b>20</b>
5.1	Line scanner (single line) . . . . .	20
5.2	Line scanner with oscillating mirror . . . . .	20
5.3	Omnidirectional reading . . . . .	21
5.4	Leuze multiScan over Ethernet/PROFINET . . . . .	21
<b>6</b>	<b>Mounting</b> . . . . .	<b>23</b>
6.1	Device arrangement . . . . .	23
6.1.1	Selecting a mounting location . . . . .	23
6.1.2	Avoiding total reflection – Line scanner . . . . .	23
6.1.3	Avoiding total reflection – oscillating-mirror scanner . . . . .	24
6.1.4	Possible read angles between device and bar code . . . . .	25
6.2	Installing the external parameter memory . . . . .	25
<b>7</b>	<b>Electrical connection</b> . . . . .	<b>27</b>
7.1	Overview . . . . .	27
7.2	PWR – Voltage supply and switching inputs/outputs 3 and 4 . . . . .	28
7.3	SERVICE – USB interface (type A) . . . . .	30
7.4	SW IN/OUT – Switching input/switching output . . . . .	30
7.5	HOST / BUS IN . . . . .	32
7.6	BUS OUT . . . . .	33
7.7	Ethernet topologies . . . . .	33
7.7.1	Ethernet wiring . . . . .	35
7.8	Cable lengths and shielding . . . . .	35

<b>8</b>	<b>Menu description</b>	<b>37</b>
8.1	The main menus	37
8.2	Parameter menu	37
8.3	Language selection menu	43
8.4	Service menu	43
8.5	Actions menu	43
8.6	Operation	45
<b>9</b>	<b>Commissioning – Leuze electronic webConfig tool</b>	<b>46</b>
9.1	Connecting the service USB interface	46
9.2	Installation	46
9.2.1	System requirements	46
9.2.2	Installing the USB driver	46
9.3	Starting the webConfig tool	46
9.4	Short description of the webConfig tool	47
9.5	Module overview in the Configuration menu	48
<b>10</b>	<b>Starting up the device - Configuration</b>	<b>49</b>
10.1	Measures to be performed prior to the initial commissioning	49
10.2	Starting the device	49
10.3	Setting the communication parameters	49
10.3.1	Manually setting the IP address	49
10.3.2	Automatically setting the IP address	50
10.3.3	Address Link Label	50
10.3.4	Ethernet host communication	51
10.3.5	TCP/IP	51
10.3.6	UDP	52
10.4	Further settings	53
10.4.1	Decoding and processing the read data	53
10.4.2	Control of the decoding	53
10.4.3	Control of the switching outputs	54
10.5	Transmitting configuration data	54
10.5.1	Via the webConfig tool	54
10.5.2	With the external parameter memory	55
<b>11</b>	<b>Online commands</b>	<b>56</b>
11.1	General online commands	56
11.2	Online commands for system control	61
11.3	Online commands for the parameter set operations	62
<b>12</b>	<b>Care, maintenance and disposal</b>	<b>69</b>
12.1	Cleaning	69
12.2	Servicing	69
12.3	Disposing	69
<b>13</b>	<b>Diagnostics and troubleshooting</b>	<b>70</b>
13.1	General causes of errors	70
13.2	Interface errors	70
<b>14</b>	<b>Service and support</b>	<b>71</b>
14.1	What to do should servicing be required?	71

<b>15</b>	<b>Technical data</b> .....	<b>72</b>
15.1	General specifications .....	72
15.1.1	Line scanner .....	72
15.1.2	Oscillating-mirror scanner .....	73
15.2	Dimensioned drawings .....	75
15.3	Dimensioned drawings: Accessories .....	77
15.4	Reading field curves / optical data .....	78
15.5	Reading field curves .....	78
15.5.1	Medium Density (M) - optics .....	80
15.5.2	Low Density (F) - optics .....	81
<b>16</b>	<b>Ordering information and accessories</b> .....	<b>83</b>
16.1	Nomenclature .....	83
16.2	Type overview .....	83
16.3	Accessories .....	83
<b>17</b>	<b>EC Declaration of Conformity</b> .....	<b>85</b>
<b>18</b>	<b>Appendix</b> .....	<b>86</b>
18.1	ASCII character set .....	86
18.2	Bar code samples .....	90
18.2.1	Module 0.3 .....	90
18.2.2	Module 0.5 .....	91

# 1 About this document

## 1.1 Used symbols and signal words

Table 1.1: Warning symbols and signal words


	Symbol indicating dangers to persons
NOTICE	Signal word for property damage Indicates dangers that may result in property damage if the measures for danger avoidance are not followed.

Table 1.2: Other symbols



	Symbol for tips Text passages with this symbol provide you with further information.
	Symbols for action steps Text passages with this symbol instruct you to perform actions.

Table 1.3: Terms and abbreviations

BCL	Bar code reader
CRT	Code reconstruction technology

## 2 Safety

This sensor was developed, manufactured and tested in line with the applicable safety standards. It corresponds to the state of the art.


### 2.1 Intended use

The device is designed as a stationary high-speed scanner with integrated decoder for all common bar codes for automatic object detection.

#### Areas of application

The device is specially designed for the following areas of application:

- Object identification on fast-moving conveyor lines
- Omnidirectional reading


 <b>CAUTION</b>
<p><b>Comply with conditions and regulations!</b></p> <p>↳ Observe the locally applicable legal regulations and the rules of the employer's liability insurance association.</p>

### 2.2 Foreseeable misuse

Any use other than that defined under “Intended use” or which goes beyond that use is considered improper use.

In particular, use of the device is not permitted in the following cases:

- Rooms with explosive atmospheres
- Circuits relevant to safety
- For medicinal purposes

 <b>CAUTION</b>
<p><b>Do not modify or otherwise interfere with the device.</b></p> <p>↳ Do not carry out modifications or otherwise interfere with the device.</p> <p>The device must not be tampered with and must not be changed in any way.</p> <p>The device must not be opened. There are no user-serviceable parts inside.</p> <p>Repairs must only be performed by Leuze electronic GmbH + Co. KG.</p>

### 2.3 Competent persons

Connection, mounting, commissioning and adjustment of the device must only be carried out by competent persons.

Prerequisites for competent persons:

- They have a suitable technical education.
- They are familiar with the rules and regulations for occupational safety and safety at work.
- They are familiar with the technical description of the device.
- They have been instructed by the responsible person on the mounting and operation of the device.

#### Certified electricians

Electrical work must be carried out by a certified electrician.

Due to their technical training, knowledge and experience as well as their familiarity with relevant standards and regulations, certified electricians are able to perform work on electrical systems and independently detect possible dangers.

In Germany, certified electricians must fulfill the requirements of accident-prevention regulations BGV A3 (e.g. electrician foreman). In other countries, there are respective regulations that must be observed.


## 2.4 Exemption of liability


Leuze electronic GmbH + Co. KG is not liable in the following cases:

- The device is not being used properly.
- Reasonably foreseeable misuse is not taken into account.
- Mounting and electrical connection are not properly performed.
- Changes (e.g., constructional) are made to the device.

## 2.5 Laser safety notices

### 2.5.1 Laser safety notices– laser class 2

	<b>ATTENTION, LASER RADIATION – LASERCLASS2</b>
<p><b>Never look directly into the beam!</b></p> <p>The device fulfills the IEC 60825-1:2007 (EN 60825-1:2007) requirements for a product in <b>laser class 2</b> as well as the U.S. 21 CFR 1040.10 regulations with deviations corresponding to “Laser Notice No. 50” from June 24th, 2007.</p> <ul style="list-style-type: none"> <li>↳ Never look directly into the laser beam or in the direction of reflecting laser beams. If you look into the beam path over a longer time period, there is a risk of injury to the retina.</li> <li>↳ Do not point the laser beam of the device at persons!</li> <li>↳ Interrupt the laser beam using a non-transparent, non-reflective object if the laser beam is accidentally directed towards a person.</li> <li>↳ When mounting and aligning the device, avoid reflections of the laser beam off reflective surfaces!</li> <li>↳ CAUTION! The use of operating or adjusting devices other than those specified here or carrying out of differing procedures may lead to dangerous exposure to radiation.</li> <li>↳ Adhere to the applicable legal and local regulations regarding protection from laser beams.</li> <li>↳ The device must not be tampered with and must not be changed in any way. There are no user-serviceable parts inside the device. Repairs must only be performed by Leuze electronic GmbH + Co. KG.</li> </ul>	

	<b>CAUTION</b>
<p><b>Affix laser information and warning signs!</b></p> <p>Laser information and warning signs attached to the device(see figure 2.1). Also included with the device are self-adhesive laser warning and laser information signs (stick-on labels) in multiple languages (see figure 2.3).</p> <ul style="list-style-type: none"> <li>↳ Affix the laser information sheet to the device in the language appropriate for the place of use. When using the device in the US, use the stick-on label with the “Complies with 21 CFR 1040.10” notice.</li> <li>↳ Affix the laser information and warning signs near the device if no signs are attached to the device (e.g. because the device is too small) or if the attached laser information and warning signs are concealed due to the installation position. Affix the laser information and warning signs so that they are legible without exposing the reader to the laser radiation of the device or other optical radiation.</li> </ul>	

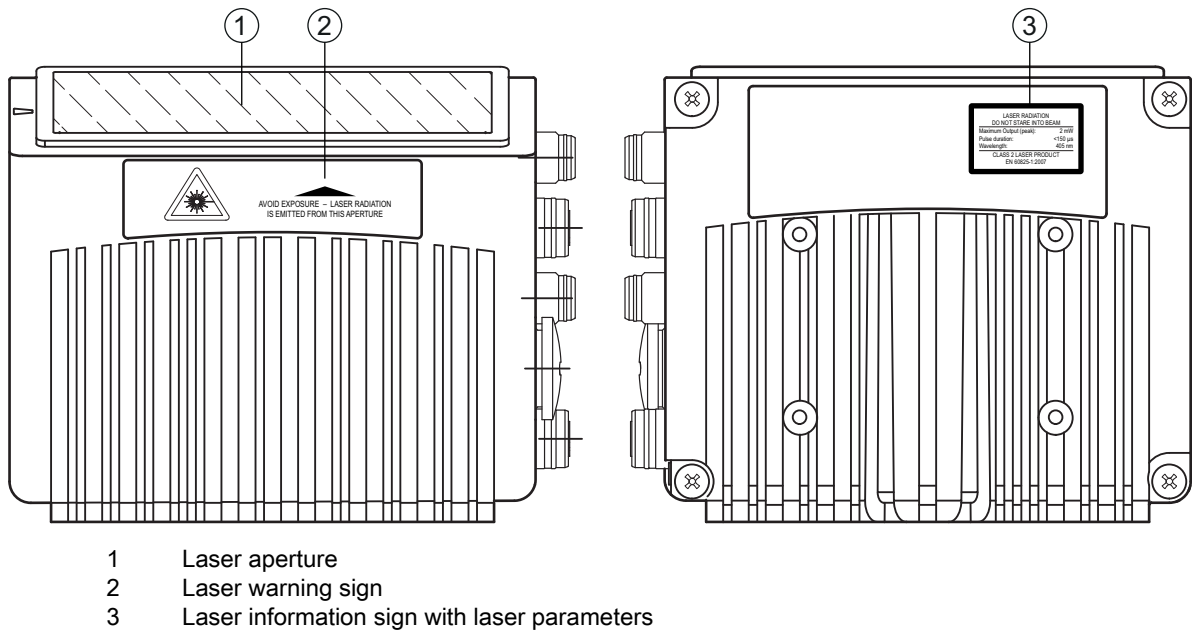


Figure 2.1: Laser aperture, laser warning and information signs - line scanner

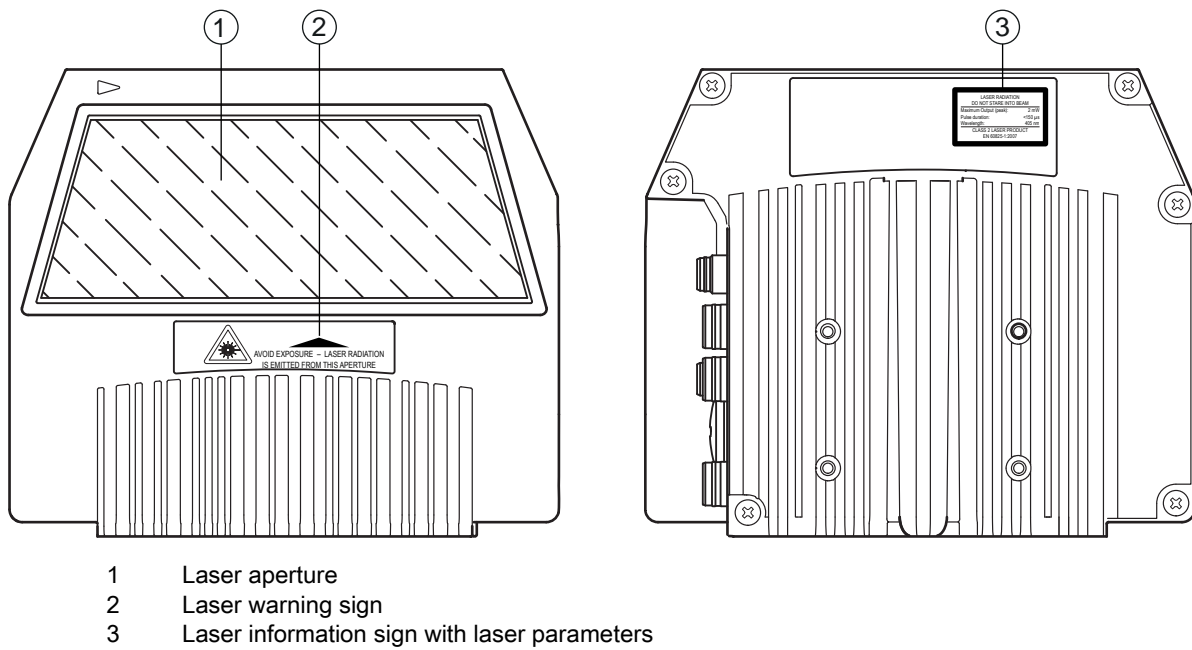


Figure 2.2: Laser aperture, laser warning and information signs - oscillating-mirror scanner



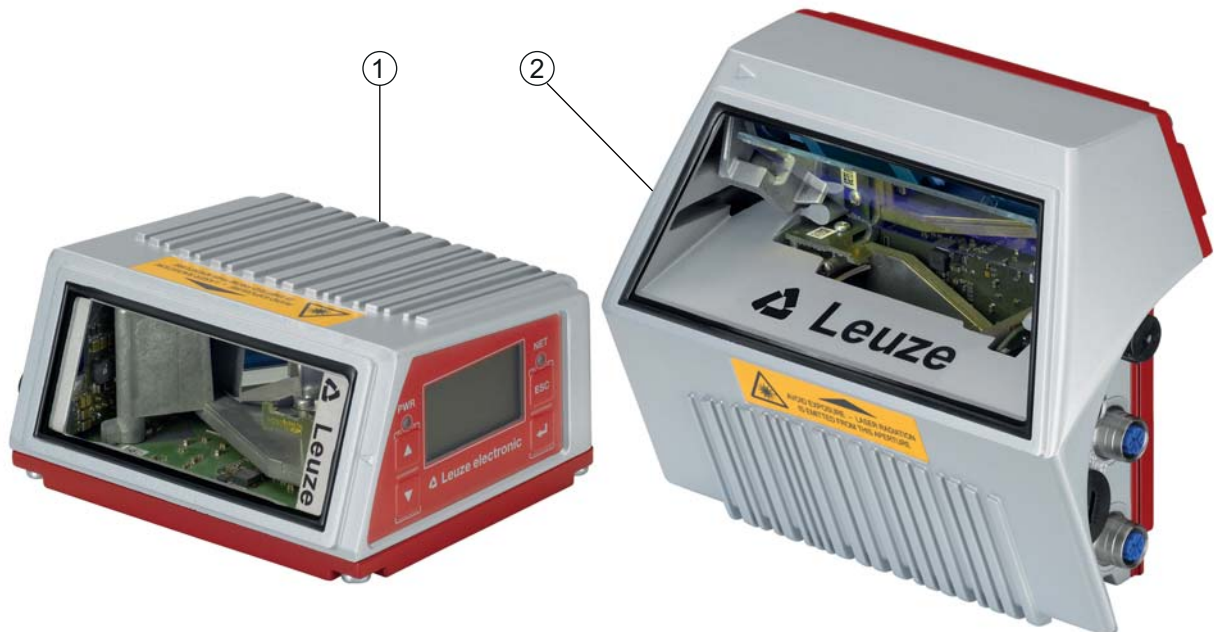
Figure 2.3: Laser warning and information signs – supplied stick-on labels

### 3 Device description

#### 3.1 Device overview

Bar code readers of the BCL 600i series are high-speed scanners with integrated decoder for all commonly used bar codes, e.g. 2/5 Interleaved, Code 39, Code 128, EAN 8/13 etc., as well as codes from the GS1 DataBar family.

Bar code readers of the BCL 600i series are available in various optics models and as line scanners and oscillating mirrors.



- 1 Line scanner
- 2 Oscillating-mirror scanner

Figure 3.1: Line scanner and oscillating-mirror scanner

The extensive options for device configuration via display or software enable adaptation to a multitude of reading tasks. Due to the large reading distance combined with the great depth of field and a very compact construction, the device is ideally suited for package and pallet transportation systems. In general, the bar code readers of the BCL 600i series are designed for the conveyor and storage technology market.

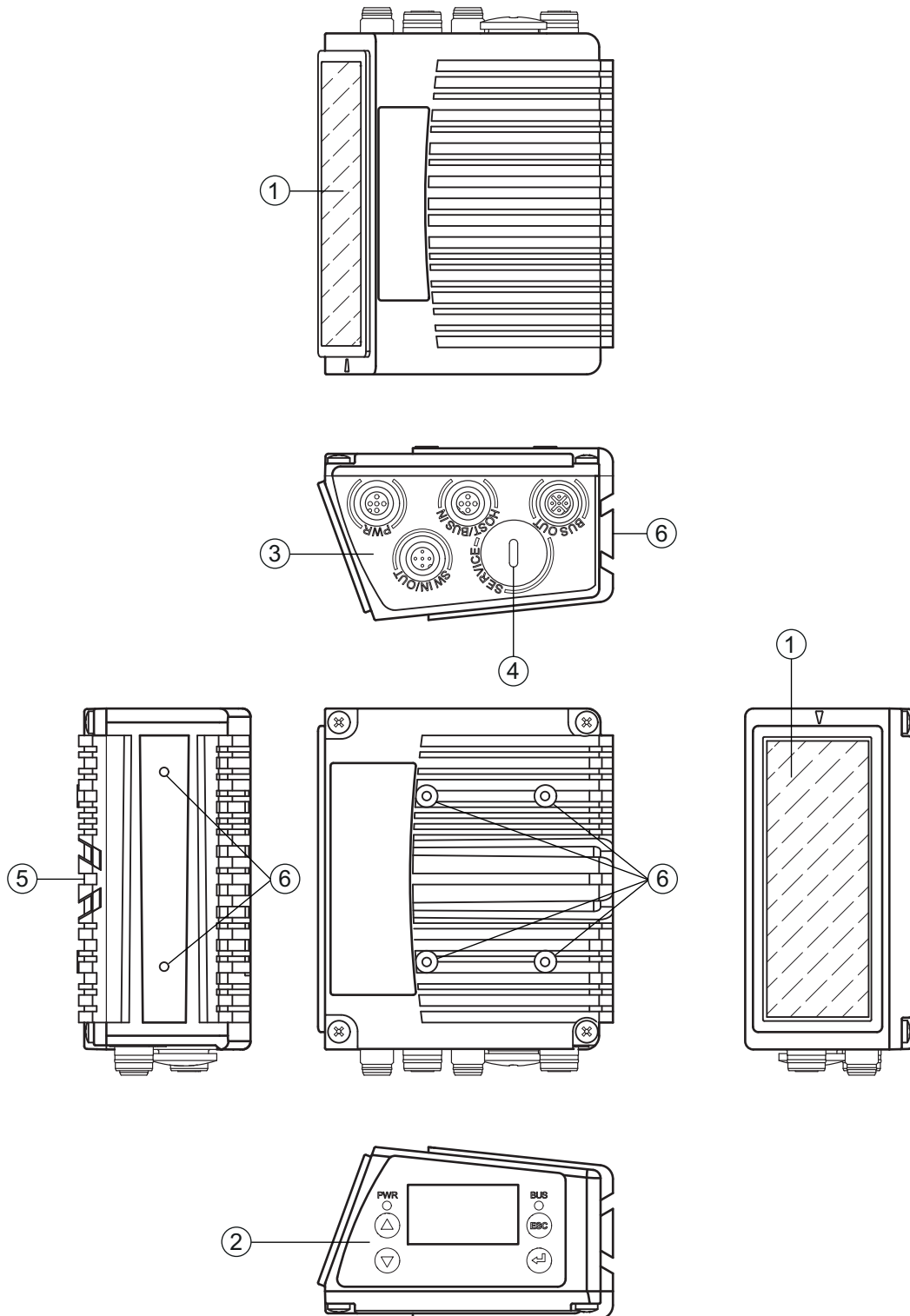
The interfaces (RS 232, RS 485 and RS 422) integrated in the various device models and the fieldbus systems (Profibus DP, PROFINET-IO, Ethernet TCP/IP / UDP and Ethernet/IP) of the BCL 600i series bar code readers offer optimum connection to the superior host system.

#### 3.2 Performance characteristics

- Integrated fieldbus connectivity = i -> Plug-and-Play fieldbus coupling and easy networking
- Numerous interface variants facilitate connection to the superior systems
  - RS 232, RS 422 as well as with integrated multiNet plus master
  - RS 485 and multiNet plus slave
  - alternatively, various fieldbus systems, such as
    - PROFINET-IO
    - Ethernet TCP/IP
    - Ethernet /IP
    - Profibus
    - Ethernet

- Integrated code reconstruction technology (CRT) enables the identification of soiled or damaged bar codes
- Maximum depth of field and reading distances from 400 mm to 1450 mm
- Large optical opening angle and, thus, large reading field width
- High scanning rate of 800 / 1000 scans/s for fast reading tasks
- Intuitive, backlit, multi-language display with user-friendly menu navigation
- Integrated USB 1.1 service interface
- Adjustment of all device parameters with a web browser
- Connection options for an external parameter memory
- Easy alignment- and diagnostics functions
- M12 connections with Ultra-Lock™ technology
- Four freely programmable switching inputs/outputs for the activation or signaling of states
- Automatic monitoring of the read quality with autoControl
- Automatic recognition and setting of the bar code type using autoConfig
- Reference code comparison
- Heavy-duty housing of degree of protection IP 65

3.3 Device construction



- 1 Reading window
- 2 Control panel with display, LEDs and buttons
- 3 M12 connection technology
- 4 USB interface
- 5 Dovetail mounting
- 6 M4 mounting thread

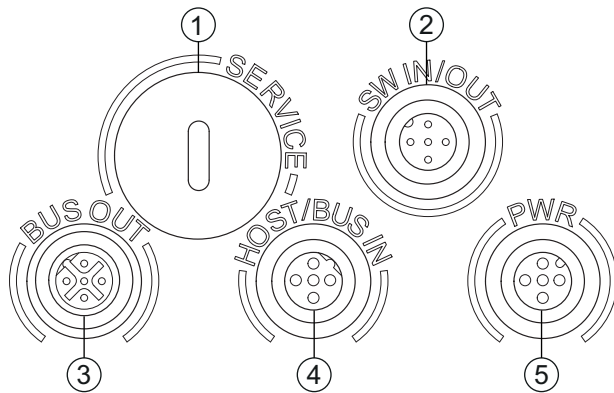
Figure 3.2: Device construction

### 3.4 Connection technology

The bar code readers are connected using variously coded M12 connectors. This ensures unique connection assignments.

The additional USB interface is used for configuring the device.

For the locations of the individual device connections, please refer to the device detail shown below.

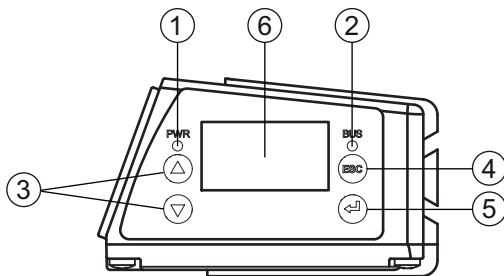


- 1 Service, USB socket, type A
- 2 SW In/Out, M12 socket (A-coded)
- 3 Bus Out, M12 socket (D-coded)
- 4 Host/Bus In, M12 socket (D-coded)
- 5 PWR, M12 plug (A-coded)

Figure 3.3: Location of the electrical connections

### 3.5 Display elements

#### 3.5.1 Structure of the control panel



- 1 LED PWR
- 2 LED NET
- 3 Navigation buttons
- 4 Escape button
- 5 Enter button
- 6 Display

Figure 3.4: Structure of the control panel

### 3.5.2 Status display and operation

#### Indicators in the display

Table 3.1: Status displays of the switching inputs/outputs

IO1	Switching input or switching output 1 active (function dependent on set configuration). Default: Switching input with the "Reading gate activation" function
IO2	Switching input or switching output 2 active (function dependent on set configuration). Default: Input with the "Teach-in" function
IO3	Switching input or switching output 3 active (function dependent on set configuration). Default: Switching input with the "Reading gate activation" function
IO4	Switching input or switching output 4 active (function dependent on set configuration). Default: Switching output with the "No read" function
ATT	Warning (Attention)
ERR	Internal device error (Error) -> The device must be sent in for inspection

Table 3.2: Status display of the USB interface

USB	The device is connected to a PC via the USB interface.
MS	An external parameter memory is properly connected to the USB interface of the device.

#### Read result

The read bar code information is displayed.

### 3.5.3 LED indicators

#### PWR LED




Off	Device OFF <ul style="list-style-type: none"> <li>No supply voltage</li> </ul>
Flashes green	Device ok, initialization phase <ul style="list-style-type: none"> <li>No bar code reading possible</li> <li>Voltage connected</li> <li>Self test running</li> <li>Initialization running</li> </ul>
Green, continuous light	Device OK <ul style="list-style-type: none"> <li>Bar code reading possible</li> <li>Self test successfully finished</li> <li>Device monitoring active</li> </ul>
Orange, continuous light	Service mode <ul style="list-style-type: none"> <li>Bar code reading possible</li> <li>Configuration via the USB service interface</li> <li>Configuration via the display</li> <li>No data on the host interface</li> </ul>
Flashes red	Device ok, warning set <ul style="list-style-type: none"> <li>Bar code reading possible</li> <li>Temporary operating fault</li> </ul>
Red, continuous light	Device error / parameter enable <ul style="list-style-type: none"> <li>No bar code reading possible</li> </ul>

## NET LED

Off	No supply voltage <ul style="list-style-type: none"> <li>• No communication possible</li> <li>• Ethernet protocols not released</li> </ul>
Flashes green	Initialization <ul style="list-style-type: none"> <li>• of the device, establishing communication</li> </ul>
Green, continuous light	Operation OK <ul style="list-style-type: none"> <li>• Network mode ok</li> <li>• Connection and communication to the host established</li> </ul>
Flashes red	Communication error <ul style="list-style-type: none"> <li>• Temporary connection error</li> <li>• If DHCP is active, no address could be obtained</li> </ul>
Red, continuous light	Network error <ul style="list-style-type: none"> <li>• Network error</li> <li>• No connection established</li> <li>• No communication possible</li> </ul>

### 3.6 Operational controls




#### Navigating within the menus

Use the navigation buttons   to move through the menu. Activate the desired selection with the enter button .

Press the escape button  to move up one menu level.

When one of the buttons is actuated, the display illumination is activated for 10 min.

#### Setting values

Set the desired value with the navigation buttons   and the enter button .

An accidental incorrect entry can be corrected by selecting the left arrow button and then pressing the enter button.

Then use the navigation buttons to select **save** and save the set value by pressing the enter button.

#### Selecting options

Set the desired option with the navigation buttons   and the enter button .

### 3.7 External parameter memory

The optionally available external parameter memory – based on a USB memory stick (compatible with version 1.1) – is housed in an external hood with integrated connectors which cover the USB service interface when installed (IP 65).

The external parameter memory makes it easy and reduces the time needed to replace a device on site by providing a copy of the current parameter set of the device. This eliminates the need to configure the exchanged device manually.

The delivery contents of the external parameter memory include the hood with integrated connectors with unscrewable cover and the USB memory stick.



To mount, the cover of the service interface must be unscrewed. Then screw the tube body onto the USB connection on the device and plug the USB memory stick into the connection and close the connector hood with the cover to ensure degree of protection IP 65.

## 4 Functions

### General information

The integrated fieldbus connectivity = i contained in the bar code readers of the BCL 600i series facilitates the use of identification systems which function without connection unit or gateways. The integrated fieldbus interface considerably simplifies handling. The Plug-and-Play concept enables easy networking and very simple commissioning: Directly connect the respective fieldbus and all configuration is performed with no additional software.

For decoding bar codes, the bar code readers of the BCL 600i series make available the proven CRT decoder with code reconstruction technology:

The proven code reconstruction technology (CRT) enables bar code readers of the BCL 600i series to read bar codes with a small bar height, as well as bar codes with a damaged or soiled print image.

With the aid of the CRT decoder, bar codes can also be read without problem in other demanding situations, such as with a large tilt angle (azimuth angle or even twist angle).



Figure 4.1: Possible bar code orientation

The device needs a suitable activation to start a read process as soon as an object is in the reading field. This opens a time window (reading gate) in the device for the read process during which the bar code reader has time to detect and decode a bar code.

In the basic setting, triggering takes place through an external reading cycle signal. Alternative activation options include online commands via the host interface and the autoReflAct function. In the basic setting, triggering takes place through an external reading cycle signal or via the PROFIBUS. An alternative option for activation is the autoReflAct function.

In the basic setting, triggering takes place through an external reading cycle signal. Alternative activation options include online commands via the host interface and the autoReflAct function. Through the read operation, the device collects additional useful pieces of data for diagnosis which can also be transmitted to the host. The quality of the read operation can be inspected using the alignment mode which is integrated in the webConfig tool.

A multi-language display with buttons is used to operate the device as well as for visualization purposes. Two LEDs provide additional optical information on the current operating state of the device.

The four freely configurable switching inputs/outputs SWIO 1 ... SWIO 4 can be assigned various functions and control e.g. activation of the device or external devices, such as a PLC.

System, warning and error messages provide assistance in setup/troubleshooting during commissioning and read operation.

#### 4.1 autoReflAct

**autoReflAct** stands for **automatic Reflector Activation** and permits an activation without additional sensors. This is achieved by directing the scanner with reduced scanning beam towards a reflector mounted behind the conveyor path. As long as the scanner is targeted at the reflector, the reading gate remains closed. If, however, the reflector is blocked by an object such as a container with a bar code label, the scanner activates the read procedure, and the label on the container is read. When the path from the scanner to the reflector has cleared, the read procedure has completed and the scanning beam is reduced and again directed onto the reflector. The reading gate is closed.



You will find a matching reflector in Accessories, and more are available on request.



Figure 4.2: Reflector arrangement for autoReflAct

The autoReflAct function uses the scanning beam to simulate a photoelectric sensor and thus permits an activation without additional sensors.

## 4.2 autoConfig

With the autoConfig function, the device offers an extremely simple and convenient configuration option to users who only want to read one code type (symbology) with one number of digits at a time.

After starting the autoConfig function via the display, switching input or from a superior control, it is sufficient to position a bar code label with the desired code type and number of digits in the reading field of the device.

Afterward, bar codes with the same code type and number of digits are recognized and decoded.



The settings made via display or webConfig configuration tool push the parameters set in the Profibus only temporarily into the background. They are overwritten during integration into the Profibus or when the parameter enable is deactivated!

Device settings for operating the device on the Profibus are managed and configured exclusively by the Profibus controller (PLC). Permanent changes must be carried out here!

For further information, see chapter 10 "Starting up the device - Configuration".

## 5 Reading techniques

### 5.1 Line scanner (single line)

A line (scan line) scans the label. Due to the opt. opening angle, the reading field width is dependent on the read distance. Through the movement of the object, the entire bar code is automatically transported through the scan line.

The integrated code reconstruction technology permits twisting of the bar code (tilt angle) within certain limits. These are dependent on the transport speed, the scanning rate of the scanner and the bar code properties.

#### Areas of application of the line scanner

The line scanner is used:

- when the bars of the bar code are printed in the conveying direction ('ladder arrangement').
- with bar codes having very short bar lengths.
- when the ladder code is turned out of the vertical position (tilt angle).
- when the reading distance is large.



Figure 5.1: Deflection principle for the line scanner

### 5.2 Line scanner with oscillating mirror

The oscillating mirror deflects the scan line additionally to both sides across the scan direction at a randomly adjustable oscillation frequency. In this way, the device can also scan larger areas or spaces for bar codes. The reading field height (and the scan line length useful for evaluation) depends on the reading distance due to the optical opening angle of the oscillating mirror.

### Areas of application of the line scanner with oscillating mirror

For line scanners with oscillating mirror, oscillation frequency, start/stop position etc. are adjustable. It is used:

- when the position of the label is not fixed, e.g. on pallets – various labels can, thus, be detected at various positions.
- when the bars of the bar code are printed perpendicular to the conveying direction (“picket fence arrangement”).
- when reading stationary objects.
- when the bar code is turned out of the horizontal position.
- when the reading distance is large.
- when a large reading field (reading window) has to be covered.



Figure 5.2: Deflection principle for the line scanner with oscillating mirror add-on

### 5.3 Omnidirectional reading

In order to read arbitrarily oriented bar codes on an object, at least 2 bar code readers are necessary. If the bar code is not printed over-square, i.e. bar length > code length, bar code readers with integrated code reconstruction technology are necessary.

Figure 5.3: Principle arrangement for omnidirectional reading

## 5.4 Leuze multiScan over Ethernet/PROFINET

The multiScan over Ethernet/PROFINET operating mode links individual bar code readings of multiple bar code scanners into a single decoding result. This is used, for example, on a packet conveyor system on which the label can be affixed on either the right or left side, thereby requiring two read stations. To prevent the host from having to always process two readings for a single packet, i.e. a decoding result and a No Read, a multiScan arrangement is used which transmits only one reading from the two read stations to the host; this single reading is transmitted by the multiScan master.



Thus, from the perspective of the host, the scanner network appears to be just a single bar code reader!

For this purpose one multiScan master and one or more multiScan slaves are connected together via Ethernet/PROFINET.

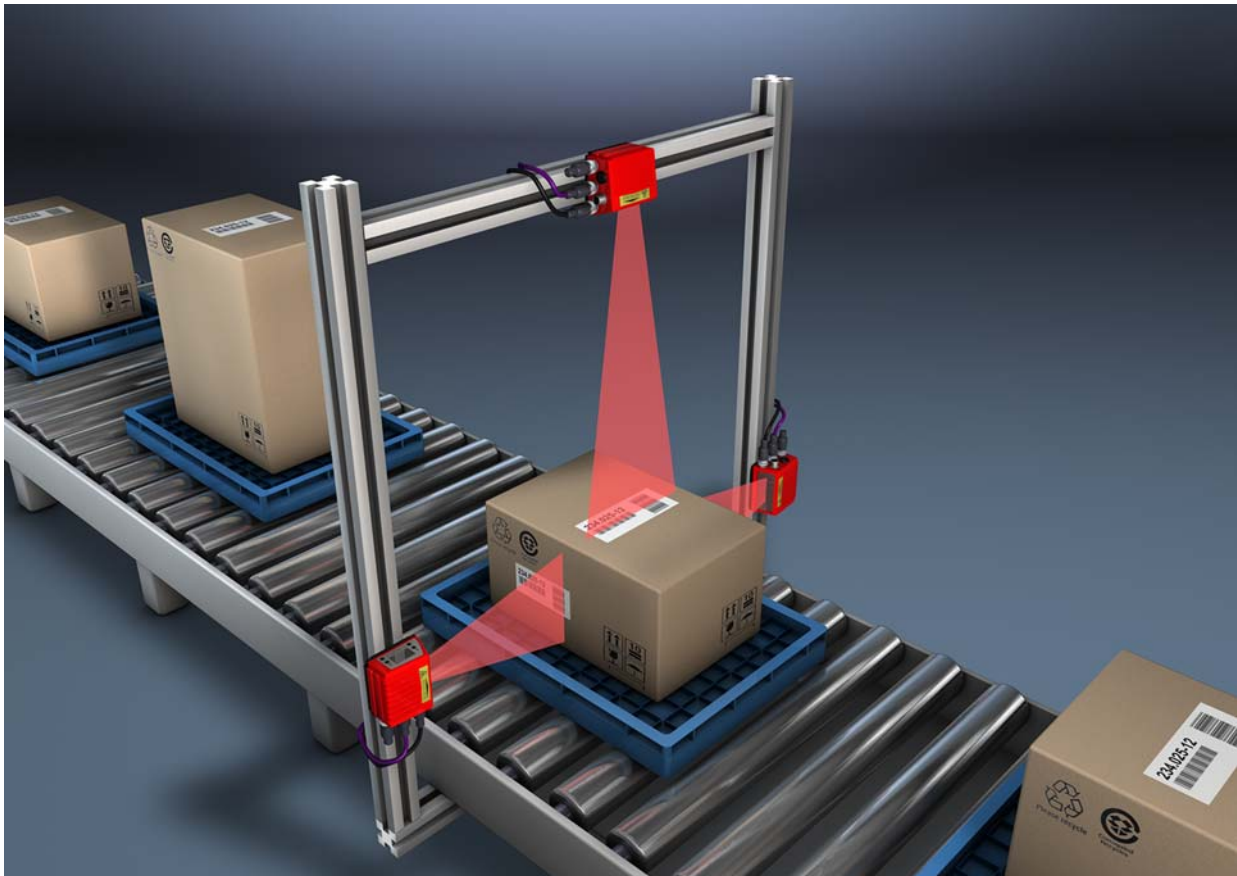


Figure 5.4: Scanner arrangement with the multiScan function



The multiScan function for Ethernet/PROFINET is possible for a minimum of 2 and maximum of 32 devices!

## 6 Mounting

The bar code readers can be mounted in different ways:

- Using two M4x6 screws on the rear of the device or using four M4x6 screws on the bottom of the device (see figure 3.2).
- Using a BT 56 mounting device on the two fastening grooves (see figure 15.3).
- Using a BT 59 mounting device on the two fastening grooves (see figure 15.4).

### 6.1 Device arrangement

#### 6.1.1 Selecting a mounting location

In order to select the right mounting location, several factors must be considered:

- Size, orientation, and position tolerance of the bar codes on the objects to be scanned.
- The reading field of the device in relation to the bar code module width.
- The resulting minimum and maximum reading distance from the respective reading field (see chapter 15.4 "Reading field curves / optical data").
- The permissible cable lengths between the device and the host system depending on which interface is used.
- The correct time for data output. The device should be positioned in such a way that, taking into consideration the time required for data processing and the conveyor belt speed, there is sufficient time to e.g. initiate sorting operations on the basis of the read data.
- The display and control panel should be very visible and accessible.
- For configuring and commissioning with the webConfig tool, the USB interface should be easily accessible.
- Maintaining the required environmental conditions (temperature, humidity).
- Possible soiling of the reading window due to liquids, abrasion by boxes, or packaging material residues.
- Lowest possible chance of damage to the device by mechanical collision or jammed parts.
- Possible extraneous light (no direct sunlight or sunlight reflected by the bar code).



With the line scanner, the beam exits the device parallel to the housing base; with the oscillating mirror, the beam exits perpendicular to the housing base. The housing base is the black surface.

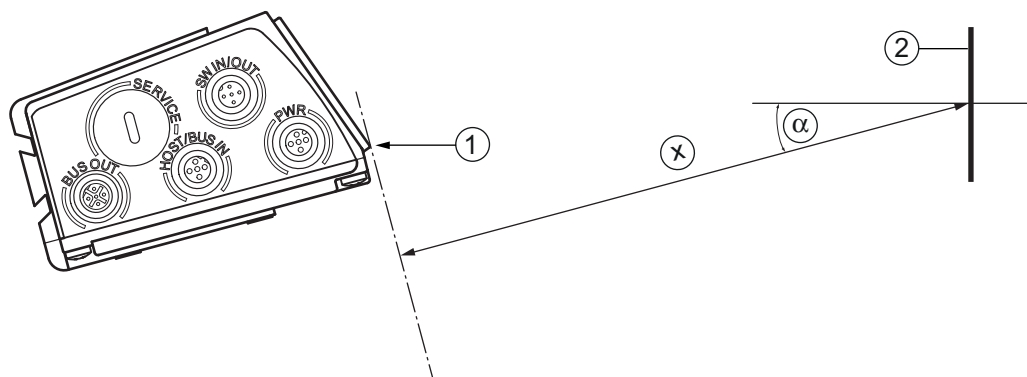
The best read results are obtained when:

- The device is mounted in such a way that the scanning beam is incident on the bar code at an angle of inclination greater than  $\pm 10^\circ \dots 15^\circ$  to vertical.
- The reading distance lies in the middle area of the reading field.
- The bar code labels are of good print quality and have good contrast ratios.
- You do not use high-gloss labels.
- There is no direct sunlight.

#### 6.1.2 Avoiding total reflection – Line scanner

The bar code label must be positioned at an angle of inclination greater than  $\pm 10^\circ \dots 15^\circ$  from vertical in order to avoid total reflection of the laser beam (see figure 6.1)!

Total reflection occurs whenever the laser light of the bar code reader is directly incident on the surface of the bar code at an angle of  $90^\circ$ . The light directly reflected by the bar code may overload the bar code reader and thereby cause non-readings!



- 1 Zero position
- 2 Bar code
- x Distance acc. to reading field curves
- a  $\pm 10 \dots 15^\circ$

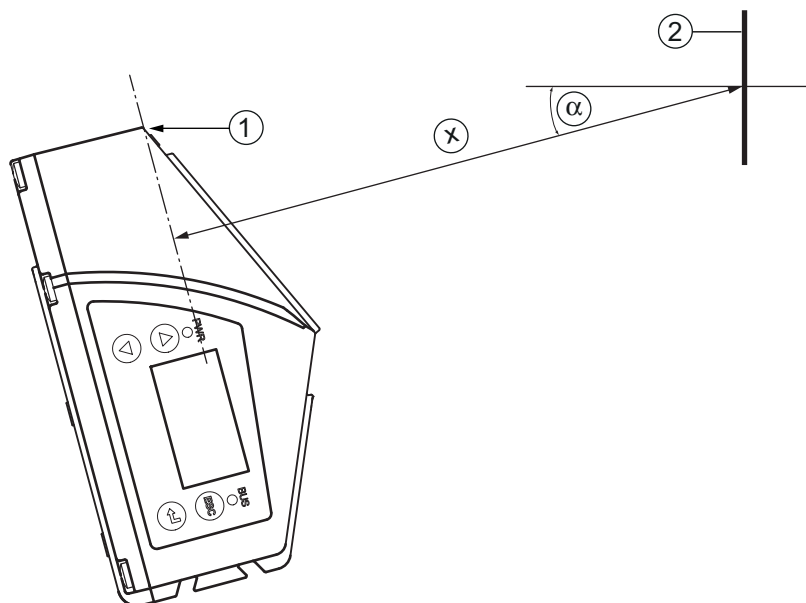
Figure 6.1: Total reflection – line scanner

### 6.1.3 Avoiding total reflection – oscillating-mirror scanner

For the device with oscillating mirror, the laser beam exits at an angle of  $90^\circ$  to vertical.

In addition, the swivel range of  $\pm 20^\circ$  is to be taken into account.

This means that in order to be on the safe side and to avoid total reflection, the device with oscillating mirror must be inclined upward or downward  $20^\circ \dots 30^\circ$ !



- 1 Zero position
- 2 Bar code
- x Distance acc. to reading field curves
- a  $\pm 25^\circ$

Figure 6.2: Total reflection – oscillating-mirror scanner

### 6.1.4 Possible read angles between device and bar code

The optimum alignment of the device is accomplished when the scan line scans the code bars almost at a right angle (90°). All read angles that are possible between the scan line and bar code must be taken account (see figure 6.3).



- a Azimuth angle (tilt)
  - b Inclination angle (pitch)
  - g Rotation angle (skew)
- In order to avoid total reflection, the skew g should be greater than 10 °

Figure 6.3: Reading angle for the line scanner

## 6.2 Installing the external parameter memory

- ✚ Remove the cover of the USB connection on the device.
- ✚ Insert the USB memory stick into the USB connection and then cover it with the connector hood to ensure degree of protection IP 65.

The USB memory stick can be inserted regardless of whether or not the device is connected to supply voltage.

- After the USB memory stick has been inserted and supply voltage applied, the following message appears on the display.  
Memory stick connected: Export internal configuration?

- ✚ Use the navigation buttons (▲▼) to select OK and activate with the enter button (↵).

The configuration is now transferred to the external parameter memory and is from now on updated immediately when the configuration is changed via display or online commands.

- The display of MS under the device address indicates that the USB memory stick is correctly connected and functional.

### Replacing a defective device

- ✚ Uninstall the defective device.
- ✚ Remove the external parameter memory from the defective device by unscrewing the protection hood.

- ↩ Mount the external parameter memory on the new device.
- ↩ Install and start up the new device.

The following message appears on the display again:

- Memory stick connected: Export internal configuration?

- ↩ Use the navigation buttons   to select Cancel and activate with the enter button .



Make sure you select Cancel. Otherwise, the configuration in the external parameter memory is lost!

The configuration is now imported from the external parameter memory and the device is immediately operational without any further configuration.

## 7 Electrical connection

### CAUTION

- ⚡ Do not open the device yourself under any circumstances! There is otherwise a risk of uncontrolled emission of laser radiation from the device. The housing of the device contains no parts that need to be adjusted or maintained by the user.
- ⚡ Before connecting the device, be sure that the supply voltage agrees with the value printed on the name plate.
- ⚡ Connection of the device and cleaning must only be carried out by a qualified electrician.
- ⚡ Ensure that the functional earth (FE) is connected correctly. Unimpaired operation is only guaranteed when the functional earth is connected properly.
- ⚡ If faults cannot be corrected, the device should be removed from operation and protected against possible commissioning.

### CAUTION

For UL applications, use is only permitted in Class 2 circuits in accordance with the NEC (National Electric Code). The bar code readers are designed in accordance with safety class III for supply by PELV (protective extra-low voltage with reliable disconnection).

### CAUTION

Degree of protection IP 65 is achieved only if the connectors and caps are screwed into place!

### 7.1 Overview

The device is equipped with four M12 plugs/sockets which are A- and D-coded, and a USB socket of type A.

The voltage supply (PWR) as well as the four freely configurable switching inputs/outputs (SW IN/OUT and PWR) are connected there.

HOST / BUS IN is available as a PROFINET-IO interface for connecting to the host system.

By means of the implemented switch function in the device, an additional second BUS OUT PROFINET-IO interface is available for creating a scanner network (linear topology).

An USB connection is used as a SERVICE interface.

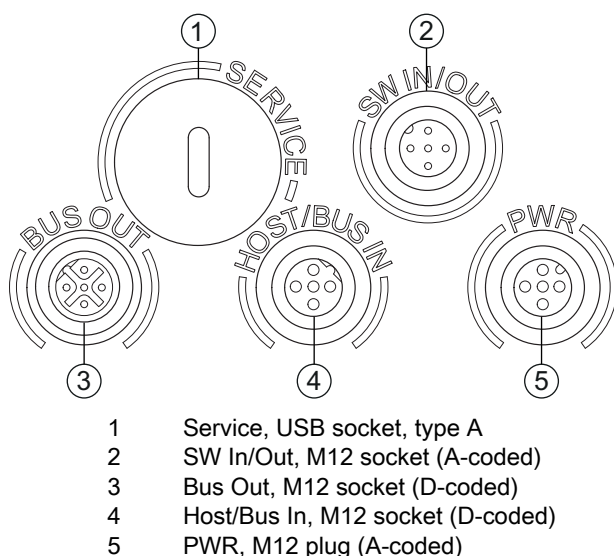


Figure 7.1: Connections of the device

#### Voltage supply and switching inputs/outputs

The voltage supply (10 ... 30VDC) is connected at the PWR M12 plug.

Available on the PWR M12 plug and on the SW IN/OUT M12 socket are four freely programmable switching inputs/outputs that can be individually adapted to the respective application (see chapter 7.2, see chapter 7.4).

**Standalone operation in Ethernet network**

During stand-alone operation of the device, the host interface of the superior system is connected to HOST/BUS IN. Thus, a star structure (Ethernet structure) is possible. Please be certain to select the correct protocol for the connected components.

**Network operation in Ethernet network**

In network operation, the superior system (PC/PLC) is connected to the host interface of the device. With the aid of the switch integrated in the device, the bus connection to the next participant, e.g. another device, can occur directly via the BUS OUT socket!



The device does not have its own built-in DHCP server. Please make certain that each participant in the Ethernet has its own unique IP address. This can be set by a DHCP server in the superior system or through manual address assignment.

**7.2 PWR – Voltage supply and switching inputs/outputs 3 and 4**

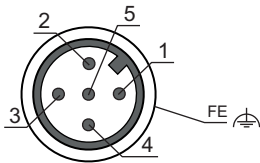


Figure 7.2: PWR, M12 plug (A-coded)

Table 7.1: Pin assignments - PWR

Pin	Name	Comment
1	VIN	Positive supply voltage +10 ... +30 V DC
2	SWIO_3	Configurable switching input / output 3
3	GND	Negative supply voltage 0 V DC
4	SWIO_4	Configurable switching input / output 4
5	FE	Functional earth
Thread	FE	Functional earth (housing)

**Supply voltage**

**Connecting functional earth FE**

⚡ Ensure that the functional earth (FE) is connected correctly. Unimpaired operation is only guaranteed when the functional earth is connected properly. All electrical disturbances (EMC couplings) are discharged via the functional earth connection.

**Switching input/output**

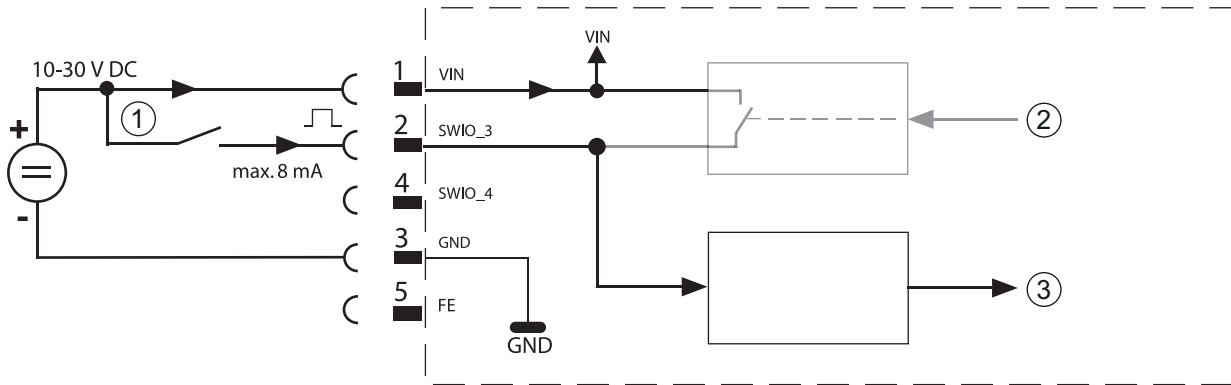
The device is equipped with four freely programmable, opto-decoupled switching inputs and outputs SWIO\_1 ... SWIO\_4.

The switching inputs can be used to activate various internal functions of the device (decoding, autoConfig, ...). The switching outputs can be used to signal the state of the device and to implement external functions independent of the superior control.

The two switching inputs/outputs SWIO\_1 and SWIO\_2 are located on the SW IN/OUT M12 socket (see chapter 7.4). The other two (SWIO\_3 and SWIO\_4) of the four freely configurable switching inputs/outputs are located on the PWR M12 plug.

The external wiring as switching input and switching output is described in the following. For the respective function assignment to the switching inputs/outputs see chapter 10.

**Function as switching input**



- 1 Switching input
- 2 Switching output from controller (deactivated)
- 3 Switching input to controller

Figure 7.3: Switching input connection diagram SWIO\_3 and SWIO\_4

If you use a sensor with a standard M12 connector, please note the following:

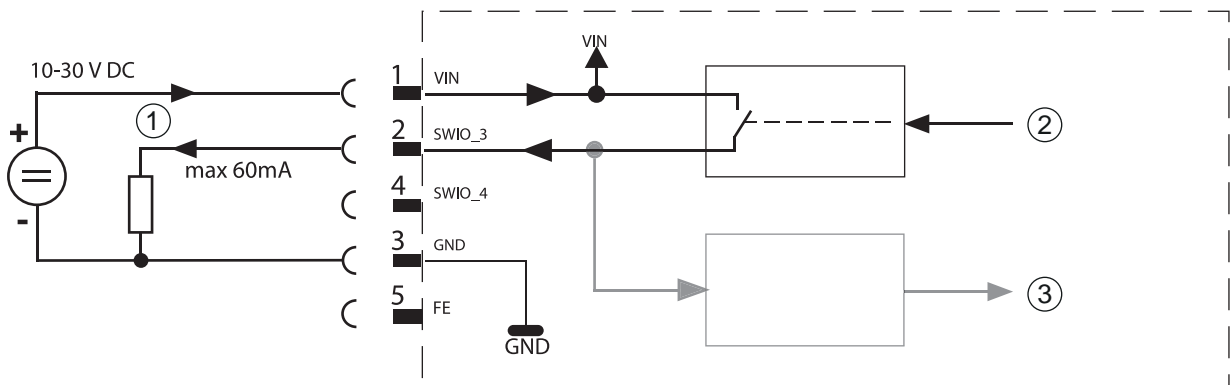
⚠ Pins 2 and 4 must not be operated as switching outputs if sensors which function as inputs are also connected to these pins.

If, for example, the inverted sensor output is connected to pin 2, and pin 2 of the bar code reader is, at the same time, configured as an output (and not as an input), the switching output malfunctions.

**⚠ CAUTION**

The maximum input current must not exceed 8 mA!

**Function as switching output**



- 1 Switching output
- 2 Switching input from controller
- 3 Switching output to controller (deactivated)

Figure 7.4: Switching output connection diagram SWIO\_3 / SWIO\_4

**NOTICE**

Each configured switching output is short-circuit proof! Do not load the respective switching output of the device with more than 60 mA at +10 ... +30 V DC in normal operation!

**I** By default, the two switching inputs/outputs SWIO\_3 and SWIO\_4 are configured so that switching input SWIO\_3 activates the reading gate and switching output SWIO\_4 switches on "No Read".

### 7.3 SERVICE – USB interface (type A)

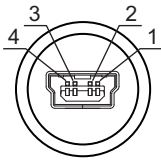


Figure 7.5: Service, USB, type A

Table 7.2: Pin assignments of SERVICE – USB interface

Pin	Name	Comment
1	VB	Positive supply voltage +5 V DC
2	D-	Data -
3	D+	Data -
4	GND	Ground

**NOTICE**

**Maximum load of the +5 V DC supply voltage of the USB interface is 200 mA!**

- ↪ Ensure adequate shielding.  
The entire interconnection cable must absolutely be shielded acc. to the USB specifications. Cable length must not exceed 3 m.
- ↪ Use the Leuze-specific USB service cable (see chapter 16 "Ordering information and accessories") for the connection and use a service PC to configure.

**NOTICE**

IP 65 is achieved only if the connectors and caps are screwed into place. Alternatively, a parameter memory in the form of a USB memory stick certified by Leuze electronic GmbH + Co. can be connected to the provided USB service interface. With this Leuze memory stick, degree of protection IP 65 is also ensured.

### 7.4 SW IN/OUT – Switching input/switching output

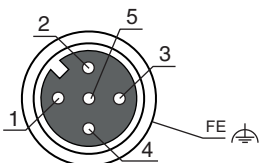


Figure 7.6: SW IN/OUT, M12 socket (A-coded)

Table 7.3: Pin assignment SW IN/OUT

Pin	Name	Comment
1	VOUT	Voltage supply for sensors (VOUT identical to VIN at PWR IN)
2	SWIO_1	Configurable switching input / output 1
3	GND	GND for the sensors

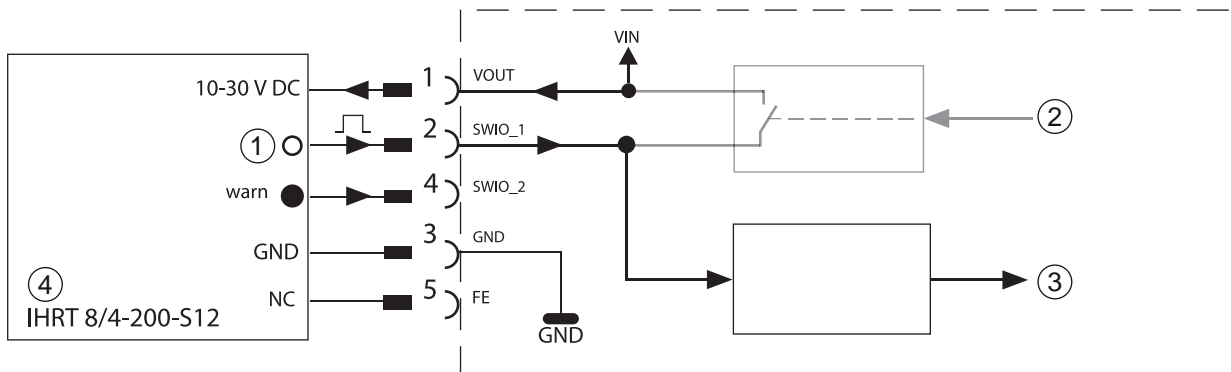
Pin	Name	Comment
4	SWIO_2	Configurable switching input / output 2
5	FE	Functional earth
Thread	FE	Functional earth (housing)

The device is equipped with four freely programmable, opto-decoupled switching inputs and outputs SWIO\_1 ... SWIO\_4.

The two switching inputs/outputs SWIO\_1 and SWIO\_2 are located on the SW IN/OUT M12 socket. The other two (SWIO\_3 and SWIO\_4) of the four freely configurable switching inputs/outputs are located on the PWR M12 plug (see chapter 7.4).

The external wiring as switching input and switching output is described in the following. For the respective function assignment to the switching inputs/outputs see chapter 10.

**Function as switching input**



- 1 Output
- 2 Switching output from controller (deactivated)
- 3 Switching input to controller
- 4 Reflection light scanner

Figure 7.7: Switching input connection diagram SWIO\_1 and SWIO\_2

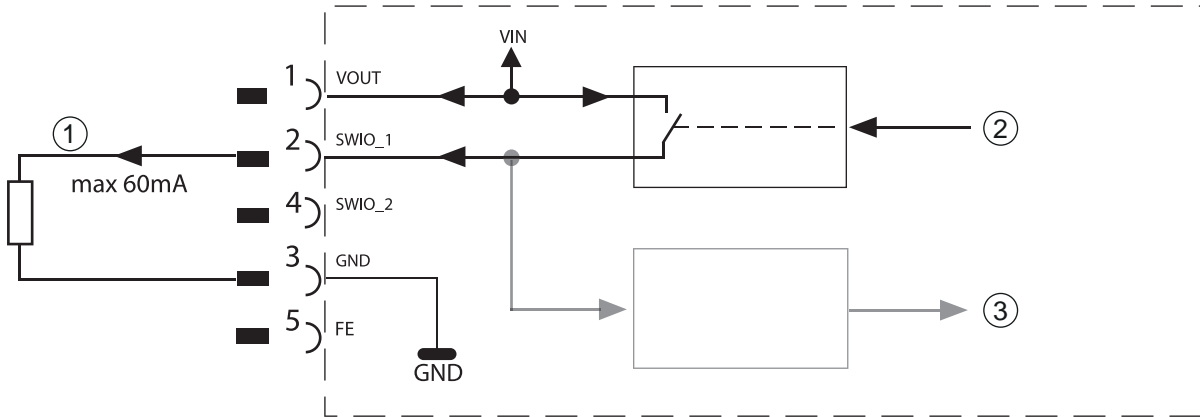
**NOTICE**

If you use a sensor with a standard M12 connector, please note the following: Pins 2 and 4 must not be operated as switching outputs if sensors which function as inputs are also connected to these pins. If, for example, the inverted sensor output is connected to pin 2, and pin 2 of the bar code reader is, at the same time, configured as an output (and not as an input), the switching output malfunctions.

**NOTICE**

The maximum input current must not exceed 8 mA!

Function as switching output



- 1 Switching output
- 2 Switching output from controller
- 3 Switching input to controller (deactivated)

Figure 7.8: Switching output connection diagram SWIO\_1 / SWIO\_2

**NOTICE**  
 Each configured switching output is short-circuit proof! Do not load the respective switching output of the device with more than 60 mA at +10 ... +30 V DC in normal operation!

**i** By default, the two switching inputs/outputs SWIO\_1 and SWIO\_2 are configured so that they function as switching inputs. Switching input SWIO\_1 activates the start reading gate function and switching input SWIO\_2 activates the reference code teach-in function.

The functions of the individual switching inputs/outputs are programmed via the display or via configuration in the webConfig tool under the Switching input or Switching output heading (see chapter 10 "Starting up the device - Configuration").

7.5 HOST / BUS IN

The device makes an Ethernet interface available as host interface.

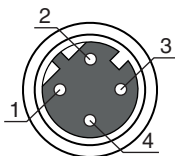


Figure 7.9: Host/Bus In, M12 socket (D-coded)

Table 7.4: Pin assignment HOST / BUS IN

Pin	Name	Comment
1	TD+	Transmit Data +
2	RD+	Receive Data +
3	TD-	Transmit Data -
4	RD-	Receive Data -
Thread	FE	Functional earth (housing)

🔗 For the host connection of the device, the "KB ET - ... - SA-RJ45" ready-made cables are preferred (see table 16.3).

**Ethernet cable assignment**

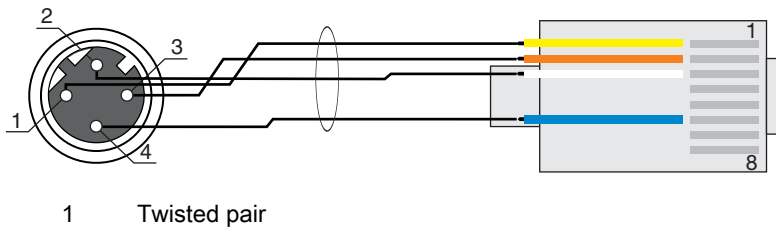


Figure 7.10: HOST / BUS IN cable assignments on RJ-45

**NOTICE**  
 Ensure adequate shielding. The entire interconnection cable must be shielded and earthed. The RD+/RD- and TD+/TD- wires must be stranded in pairs. Use CAT 5 cable for the connection.

**7.6 BUS OUT**

To set up an Ethernet network with other participants with linear topology, the device makes available another Ethernet interface. The use of this interface drastically reduces the cabling requirements, as only the first BCL 608i requires a direct connection to the switch, via which it can communicate with the host. All other BCL 608i are connected in series to the first BCL 608i (see figure 7.13).

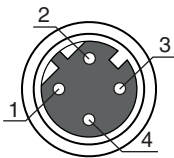


Figure 7.11: M12 socket (D-coded)

Table 7.5: Pin assignment BUS OUT

Pin	Name	Comment
1	TD+	Transmit Data +
2	RD+	Receive Data +
3	TD-	Transmit Data -
4	RD-	Receive Data -
Thread	FE	Functional earth (housing)

↳ For the connection of two devices, the “KB ET - ... - SSA” ready-made cables are preferred (see table 16.3).

If using self-made cables, observe the following notice:

**NOTICE**  
 Ensure adequate shielding. The entire interconnection cable must be shielded and earthed. The signal lines must be stranded in pairs. Use CAT 5 cable for the connection.

**i** For the device as standalone device or as the last participant in a linear topology, termination on the BUS OUT socket is not mandatory!

**7.7 Ethernet topologies**

Various product variants of the BCL 600i series are available for connecting to different fieldbus systems such as PROFIBUS DP, PROFINET-IO and Ethernet.

The BCL 608i is designed as an Ethernet device (acc. to IEEE 802.3) with a standard baud rate of 10/100 Mbit. A fixed MAC ID is assigned to each device by the manufacturer; this ID cannot be changed. The device automatically supports the transmission rates of 10 Mbit/s (10Base T) and 100 Mbit/s (10Base TX), as well as auto-negotiation and auto-crossover.

The device features multiple M12 plugs / sockets for the electrical connection of the supply voltage, the interface and the switching inputs and outputs.

The device supports the following protocols and services:

- TCP / IP (Client / Server)
- UDP
- DHCP
- ARP
- PING

For communication with the superior host system, the corresponding TCP/IP protocol (client/server mode) or UDP must be selected.

**Ethernet – star topology**

The device can be operated as a single device (standalone) in an Ethernet star topology with individual IP address.

The IP address can either be set permanently via the display or webConfig tool or assigned dynamically via a DHCP server.

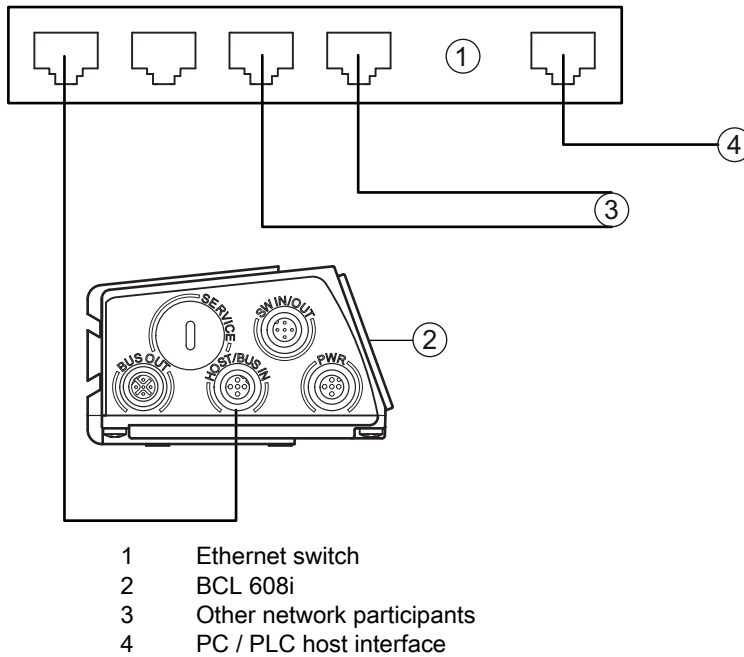


Figure 7.12: Ethernet with star topology

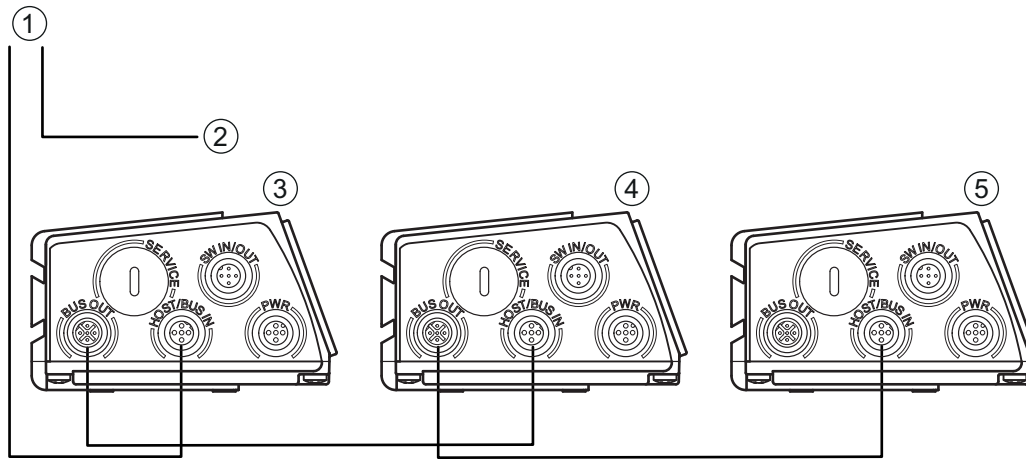
**Ethernet – linear topology**

The innovative further development of the device with integrated switch functionality offers the option of connecting multiple bar code readers of this type to one another without direct connection to a switch. In addition to the classic star topology, a linear topology is thus also possible.

This makes wiring the network easy and inexpensive as slaves are looped through to one another in parallel.

Each participant in this network requires its own unique IP address which must be assigned via the display or webConfig tool; alternatively, the DHCP method can also be used.

The maximum length of a segment (connection from the hub to the last participant) is limited to 100 m.



- 1 PC / PLC host interface
- 2 To other network participants
- 3 IP address: 192.168.0.xxx
- 4 IP address: 192.168.0.yyy
- 5 IP address: 192.168.0.zzz

Figure 7.13: Ethernet with linear topology

### 7.7.1 Ethernet wiring


A Cat. 5 Ethernet cable should be used for wiring.

For the connection on the device, a "KDS ET M12 / RJ 45 W - 4P" adapter is available into which the standard network cables can be plugged.

If no standard network cables are to be used (e.g. due to insufficient IP degree of protection), you can use the "KB ET - ... - SA" user-configurable cables on the device (see table 16.3).

The connection between the individual devices in a linear topology is performed with the "KB ET - ... - SSA" cable (see table 16.3).

For unavailable line lengths, you can configure your cables yourself. When doing so, make certain that you connect TD+ on the M12 plug with RD+ on the RJ-45 plug and TD- on the M12 plug with RD- on the RJ-45 plug, respectively, etc.

 Use the recommended plugs / sockets or the ready-made cables (see chapter 16 "Ordering information and accessories").

### 7.8 Cable lengths and shielding

↳ Observe the following maximum cable lengths and shielding types:

Table 7.6: Cable lengths and shielding




Connection	Interface	Max. cable length	Shielding
BCL – service	USB	3 m	Shielding absolutely necessary acc. to USB specifications
BCL – host	PROFINET-IO RT	100 m	shielding absolutely required
Network from the first BCL to the last BCL	PROFINET-IO RT	The maximum segment length must not exceed 100 m for 100Base-TX Twisted Pair (min. Cat. 5)	shielding absolutely required

<b>Connection</b>	<b>Interface</b>	<b>Max. cable length</b>	<b>Shielding</b>
BCL – power supply unit		30 m	Not necessary
Switching input		10 m	Not necessary
Switching output		10 m	Not necessary

## 8 Menu description

After voltage is applied to the bar code reader, a startup screen is displayed for several seconds. The display then shows the bar code reading window with all status information.

### 8.1 The main menus

Use the navigation buttons   to move through the menu. Activate the desired selection with the enter button .

Device information	This menu item contains detailed information on <ul style="list-style-type: none"> <li>• Device type</li> <li>• Software version</li> <li>• Hardware version</li> <li>• Serial number</li> </ul>
Network settings	<ul style="list-style-type: none"> <li>• Display of the network settings</li> </ul> Further information see chapter "Ethernet".
Bar code reading window	<ul style="list-style-type: none"> <li>• Visualization of the read bar code information</li> <li>• Status overview of the switching inputs/outputs</li> <li>• Bar graphs for read quality of the current bar code</li> </ul> Further information see chapter "Indicators in the display".
Parameter	<ul style="list-style-type: none"> <li>• Configuration of the bar code reader</li> </ul> Further information see chapter 8.2 "Parameter menu".
Language selection	<ul style="list-style-type: none"> <li>• Selection of the display language</li> </ul> Further information see chapter 8.3 "Language selection menu".
Service	<ul style="list-style-type: none"> <li>• Scanner diagnosis and status messages</li> </ul> Further information see chapter 8.4 "Service menu".
Actions	<ul style="list-style-type: none"> <li>• Various functions for scanner configuration and manual operation</li> </ul> Further information see chapter 8.5 "Actions menu".



The display offers only limited configuration options. The configurable parameters are described in this chapter. Only the webConfig tool provides complete configuration options and is largely self-explanatory. For the use of webConfig tool see chapter 9. Notes on commissioning via the webConfig tool see chapter 10.

### 8.2 Parameter menu

#### Parameter handling

The Parameter handling submenu is used to lock and release the parameter input via the display and for resetting to default values.

Table 8.1: Parameter handling submenu

Level 3	Level 4	Level 5	Selection/configuration option Description	Standard
Parameter enable			OFF/ON The standard setting ( <b>OFF</b> ) prevents unintended parameter changes. If parameter enabling is activated ( <b>ON</b> ), parameters can be changed manually.	OFF
Default parameters			By pressing the enter button after selecting <b>Parameters to default</b> , all parameters are reset to their standard settings without any further security prompts. In this case, English is selected as the display language.	

#### Decoder table

In the Decoder table submenu, 4 different code type definitions can be stored. Bar codes that have been read can only be decoded if they correspond to one of the definitions stored here.

Table 8.2: Decoder table submenu

Level 3	Level 4	Level 5	Selection/configuration option Description	Standard
Max. no. of labels			Value between 0 and 64 The value set here specifies the maximum number of labels that should be detected for each reading gate.	1
Decoder 1	Symbology (Code type)		No code Code 2/5 Interleaved Code 39 Code 32 Code UPC Code EAN Code 128 EAN Addendum Codabar Code 93 GS1 DataBar Omnidirectional GS1 DataBar Limited GS1 DataBar Expanded If <b>No code</b> is configured, the current and all subsequent decoders are deactivated.	Code 2/5i
	Number of digits	Interval mode	OFF/ON With the <b>ON</b> setting, the values in digits 1 and 2 define a range of character numbers that are to be read.	OFF
		Digits 1	0 to 64 characters First decodable number of characters or lower range limit.	10
		Digits 2	0 to 64 characters Second decodable number of characters or upper range limit.	0
		Digits 3	0 to 64 characters Third decodable number of characters.	0
		Digits 4	0 to 64 characters Fourth decodable number of characters.	0
		Digits 5	0 to 64 characters Fifth decodable number of characters.	0
	Reading reliability		Value from 2 to 100 Number or scans required to reliably detect a label.	4
	Check digit method		Standard No check Depending on the symbology (code type) selected for the decoder, further calculation algorithms can be selected here. Check digit method used for the decoding of the bar code that has been read. If <b>Standard</b> is set, the check digit method intended for the respective code type is used.	Standard
	Check digit transmission		Standard Not standard Specifies whether the check digit is transmitted. <b>Standard</b> means that the transmission matches the standard intended for the respective code type.	Standard
Decoder 2	Symbology		As <b>decoder 1</b>	Code 39
	Number of digits	Interval mode	OFF/ON	ON
		Digits 1	0 to 64 characters	4
		Digits 2	0 to 64 characters	30
		Digits 3	0 to 64 characters	0
		Digits 4	0 to 64 characters	0
		Digits 5	0 to 64 characters	0
	Reading reliability		Value from 2 to 100	4
	Check digit method		As <b>decoder 1</b>	Standard
	Check digit transmission		As <b>decoder 1</b>	Standard

Level 3	Level 4	Level 5	Selection/configuration option Description	Standard
Decoder 3	Symbology		As <b>decoder 1</b>	Code 128
	Number of digits	Interval mode	OFF/ON	ON
		Digits 1	0 to 64 characters	4
		Digits 2	0 to 64 characters	63
		Digits 3	0 to 64 characters	0
		Digits 4	0 to 64 characters	0
		Digits 5	0 to 64 characters	0
	Reading reliability		Value from 2 to 100	4
	Check digit method		As <b>decoder 1</b>	Standard
Check digit transmission		As <b>decoder 1</b>	Standard	
Decoder 4	Symbology		As <b>decoder 1</b>	Code UPC
	Number of digits	Interval mode	OFF/ON	OFF
		Digits 1	0 to 64 characters	8
		Digits 2	0 to 64 characters	0
		Digits 3	0 to 64 characters	0
		Digits 4	0 to 64 characters	0
		Digits 5	0 to 64 characters	0
	Reading reliability		Value from 2 to 100	4
	Check digit method		As <b>decoder 1</b>	Standard
Check digit transmission		As <b>decoder 1</b>	Standard	

### Digital SWIO

The Digital SWIO submenu is used to configure the 4 switching inputs/outputs of the device.

Table 8.3: Digital SWIO submenu

Level 3	Level 4	Level 5	Selection/configuration option Description	Standard
Sw. input/output 1	I/O mode		Input / Output / Passive Determines the function of switching input/output 1. In the case of passive, the connection is on 0 V if the <b>Inverted parameter is set to OFF</b> , and on +UB if the <b>Inverted parameter is set to ON</b> .	Input

Level 3	Level 4	Level 5	Selection/configuration option Description	Standard
	Switching input	Invert	OFF / ON <b>OFF</b> = activation of the switching input function upon high level at the switching input <b>ON</b> = activation of the switching input function upon low level at the switching input	OFF
		Debounce time	Value from 0 to 1000 Time in milliseconds for which the input signal must be present and stable.	5
		Start-up delay	Value from 0 to 65535 Time in milliseconds between the end of the debounce time and activation of the function configured below.	0
		Pulse duration	Value from 0 to 65535 Minimum activation time in milliseconds for the function configured below.	0
		Delay off time	Value from 0 to 65535 Time in milliseconds for which the function configured below remains activated after the switching input signal is deactivated and the pulse duration has expired.	0
		Function	No BCL600i function Reading gate start/stop Reading gate stop -Reading gate start Teach reference code Autoconfig start/stop The function set here is carried out after the switching input is activated.	Reading gate start/stop
	Switching output	Invert	OFF / ON <b>OFF</b> = activated switching output upon high level <b>ON</b> = activated switching output upon low level	OFF
		Signal delay	Value from 0 to 65535 Time in milliseconds between activation function and switching of the switching output.	0
		Pulse duration	Value from 0 to 65535 Switch-on time of the switching output in milliseconds. If the <b>Pulse duration</b> is set to 0, the switching output is switched on via the <b>Activation function</b> and switched off via the <b>Deactivation function</b> . If the <b>Pulse duration</b> is greater than 0, the <b>Deactivation function</b> has no effect.	400
		Activation function 1	No function Reading gate start Reading gate end Positive reference code comparison 1 Negative reference code comparison 1 Valid read result Invalid read result Device ready Device not ready Data transmission active Data transmission not active AutoCont. good quality AutoCont. bad quality Reflector detected Reflector not detected External event, pos. edge External event, neg. edge Device active Device standby No device error Device error Positive reference code comparison 2 Negative reference code comparison 2 The function set here specifies which event activates the switching output.	No function
		Deactivation function 1	See Activation function 1 for selection options The function set here specifies the event that deactivates the switching output.	No function

Level 3	Level 4	Level 5	Selection/configuration option Description	Standard	
Sw. input/output 2	I/O mode		Input / Output / Passive	Output	
	Switching input	Invert	OFF / ON	OFF	
		Debounce time	Value from 0 to 1000	5	
		Start-up delay	Value from 0 to 65535	0	
		Pulse duration	Value from 0 to 65535	0	
		Delay off time	Value from 0 to 65535	0	
		Function	see switching input/output 1	No function	
		Switching output	Invert	OFF / ON	OFF
	Signal delay		Value from 0 to 65535	0	
	Pulse duration		Value from 0 to 65535	400	
	Activation function 2		see switching input/output 1	Valid read result	
	Deactivation function 2		see switching input/output 1	Reading gate start	
	Sw. input/output 3	I/O mode		Input / Output / Passive	Input
		Switching input	Invert	OFF / ON	OFF
Debounce time			Value from 0 to 1000	5	
Start-up delay			Value from 0 to 65535	0	
Pulse duration			Value from 0 to 65535	0	
Delay off time			Value from 0 to 65535	0	
Function			see switching input/output 1	Reading gate start/stop	
Switching output			Invert	OFF / ON	OFF
		Signal delay	Value from 0 to 65535	0	
		Pulse duration	Value from 0 to 65535	400	
		Activation function 3	see switching input/output 1	No function	
		Deactivation function 3	see switching input/output 1	No function	
Sw. input/output 4		I/O mode		Input / Output / Passive	Output
		Switching input	Invert	OFF / ON	OFF
	Debounce time		Value from 0 to 1000	5	
	Start-up delay		Value from 0 to 65535	0	
	Pulse duration		Value from 0 to 65535	0	
	Delay off time		Value from 0 to 65535	0	
	Function		see switching input/output 1	No function	
	Switching output		Invert	OFF / ON	OFF
		Signal delay	Value from 0 to 65535	0	
		Pulse duration	Value from 0 to 65535	400	
		Activation function 4	see switching input/output 1	Invalid read result	
		Deactivation function 4	see switching input/output 1	Reading gate start	

**Ethernet**

The Ethernet submenu is used to configure the communication interfaces of the device.

Table 8.4: Ethernet submenu

Level 3	Level 4	Level 5	Level 6	Selection/configuration option Description	Standard
Ethernet inter- face	IP address			The IP address can be set to any value in the xxx.xxx.xxx.xxx format. Normally, the network administrator specifies the IP address that is to be set here. If DHCP is activated, the setting made here has no effect and the device is set to the values that it obtains from the DHCP server.	192.168.060.101
	Gateway			The gateway address can be set to any value in the xxx.xxx.xxx.xxx format. The device communicates with participants in other subnets via the gateway. Splitting the read application over multiple subnets is rather uncommon; the setting of the gateway address, thus, usually has no meaning.	000.000.000.000
	Net mask			The net mask can be set to any value in the xxx.xxx.xxx.xxx format. Usually, the device is used in a private Class C network and the default setting can be accepted without change. Please note that it is possible here to enter arbitrary values for xxx.xxx.xxx.xxx. Only the values 255 or 000 are permissible for xxx, however. If other values are set, an error message appears upon restart of the device.	255.255.255.000
	DHCP activated			Off/On If DHCP is activated, the device draws its settings for IP address, gateway and net mask from a DHCP server. The manual settings made above have no effect, but are retained and are again active if DHCP is deactivated.	Off
Host communi- cation	TcpIP	Activated		Off/On TCP/IP communication with the host is activated. TCP/IP and UDP can be operated in parallel to the PROFINET-IO!	Off
		Mode		Server/client <b>Server</b> defines the device as TCP server: The superior host system (PC / PLC as client) actively establishes the connection and the connected device waits for the connection to be set up. Under <b>TcpIP Server -&gt; Port number</b> , you must also specify on which local port the device accepts communication requests from a client application (host system). <b>Client</b> defines the device as TCP client: The device actively establishes the connection to the superior host system (PC / PLC as server). Under <b>TcpIP Client</b> , you must also specify the IP address of the server (host system) and the port number on which the server (host system) accepts a connection. In this case, the device now determines when and with whom a connection is established!	Server
		TcpIP client	IP address	The IP address can be set to any value in the xxx.xxx.xxx.xxx format. IP address of the host system with which the device exchanges data as TCP client.	000.000.000.000
			Port number	The port number can be set to any value between 0 and 65535. Port number of the host system with which the device exchanges data as TCP client.	10000
			Timeout	The timeout can be set to any value between 100 and 60,000 ms. Time after which an attempt to establish a connection is automatically interrupted by the device if the server (host system) does not respond.	1000 ms
			Repetition time	The repetition time can be set to any value between 100 and 60,000 ms. Time after which another attempt is made to establish a connection.	5000 ms

Level 3	Level 4	Level 5	Level 6	Selection/configuration option Description	Standard
		TcpIP server	Port number	The port number can be set to any value between 0 and 65535. Local port on which the device accepts connection requests from a client application (host system) as TCP server.	10000
	UDP	Activated		Off/On Activates the connection-free UDP protocol which is suitable for e.g. transferring process data to the host. UDP and TCP/IP can be used in parallel. For network applications with changing partners or for only brief data transmissions, UDP is preferred as connection-free protocol.	Off
		IP address		IP address of the host to which the data is to be transferred. The IP address can be set to any value in the xxx.xxx.xxx.xxx format. Correspondingly, the host system (PC / PLC) requires the set IP address of the device and the selected port number. By assigning these parameters, a socket is formed via which the data can be sent and received.	000.000.000.000
		Port number		Port number of the host to which the data is to be transferred. The port number can be set to any value between 0 and 65535.	10001

### 8.3 Language selection menu

Currently, there are 5 display languages available:

- German
- English
- Spanish
- French
- Italian
- Chinese

The display language and the language of the webConfig user interface are synchronized. The setting in the display affects the webConfig tool and vice versa.

### 8.4 Service menu

#### Diagnostics

This menu item is used exclusively for service purposes by Leuze electronic.

#### Status messages

This menu item is used exclusively for service purposes by Leuze electronic.

### 8.5 Actions menu

#### Start decoding

Here, you can perform a single reading via the display.

☞ Activate the single reading with the enter button  and hold a bar code in the reading field of the device.


The laser beam is switched on and the following display appears:

**zzzzzzzzzz**

Once the bar code is detected, the laser beam is switched off again. The read result **zzzzzzzzzz** is shown directly in the display for about 1 s. After that, the Actions menu is displayed again.

#### Start alignment

The alignment function makes it easy to align the device by optically displaying the read quality.

☞ Activate the alignment function with the enter button  and hold a bar code in the reading field of the device.

At first, the laser beam is switched on continuously, enabling you to position the bar code securely in the reading field. Once the bar code is read, the laser beam is switched off briefly and the following display appears:


xx      zzzzzz

xx              Read quality in % (scans with info)  
 zzzzzz        Contents of the decoded bar code

Once the bar code has been detected, the laser beam starts to flash. The flash frequency provides visual information on the read quality. The faster the laser beam flashes, the higher the read quality.

**Start auto-setup**

The auto-setup function provides an easy option for configuring the code type and number of digits of Decoder 1.

Use the enter button  to activate the auto-setup function and hold an unknown bar code in the reading beam of the device.

The following display appears:


xx    yy    zzzzzz

The following information is displayed:

xx              Code type of the detected code (sets the code type of Decoder 1)  
           01    2/5 Interleaved  
           02    Code 39  
           06    UPC (A, E)  
           07    EAN  
           08    Code 128, EAN 128  
           10    EAN Addendum  
           11    Codabar  
 yy              Number of digits of the detected code (sets the number of digits of Decoder 1)  
 zzzzzz        Contents of the decoded label. A appears if the label was not correctly read.

**Start teach-in**

The teach-in function can be used to conveniently read reference code 1.

Use the enter button  to activate the teach-in function and hold a bar code which contains the content that you wish to store as the reference code in the reading beam of the device.

The following display appears:

RC13xxzzzzzz

RC13            Means that ReferenceCode number 1 is stored in RAM. This is always output  
 xx              Defined code type (see auto-setup)  
 z                Defined code information (1 ... 63 characters)




## 8.6 Operation

Shown here is an example describing important operating procedures in detail.

### Parameter enable

During normal operation parameters can only be viewed. If parameters need to be changed, the ON menu item in the Parameter enabling menu must be activated.



Use the navigation buttons   to move through the menu. Activate the desired selection with the enter button .

- ↵ In the Parameter menu, select **Parameter handling**.
- ↵ Press the enter button to enter the menu.
- ↵ Select the **Parameter enable** menu item.
- ↵ Press the enter button to enter the menu.
- ↵ Select the **ON** menu item.
- ↵ Press the enter button to enter the menu.
- ↵ The PWR LED lights up red. You can now set individual parameters via the display.
- ↵ Press the Escape button twice to return to the main menu.

## 9 Commissioning – Leuze electronic webConfig tool

With the **Leuze webConfig tool**, an operating-system independent, web-technology based, graphical user interface is available for configuring bar code readers of the BCL 600i series.

Through the use of HTTP as communication protocol and by using only standard technologies on the client side (HTML, JavaScript and AJAX), which are supported by all commonly used, modern browsers (e.g. Mozilla Firefox beginning with Version 2 or Internet Explorer beginning with Version 7.0), it is possible to operate the Leuze webConfig tool on any internet-ready PC.

### 9.1 Connecting the service USB interface

The connection to the SERVICE USB interface of the device is established via the PC-side USB interface using a special USB cable with 2 type A/A plugs.

### 9.2 Installation

#### 9.2.1 System requirements

**Operating system:**

Windows 2000

Windows XP (Home Edition, Professional)

Windows Vista

Windows 7

Windows 8

**Computer:**

PC with USB interface version 1.1 or higher

**Graphics card:**

min. 1024 x 768 pixels or higher resolution

**Required disk capacity:**

approx. 10 MB



It is recommended to update the operating system regularly and to install the current Windows service packs.

#### 9.2.2 Installing the USB driver

In order for the device to be automatically detected by the connected PC, the USB driver must be installed once on your PC. To do this, you must have administrator privileges.

Please proceed according to the following steps.

☞ Start your PC with administrator privileges and log on.

☞ Load the CD included in the delivery contents of your device in the CD drive and start the setup.exe program.

☞ Alternatively, you can also download the setup program from the internet at [www.leuze.com](http://www.leuze.com).

☞ Follow the instructions provided by the setup program.

Upon successful installation of the USB driver, an icon automatically appears on the desktop.

To check: In the Windows device manager, a device called “Leuze electronic, USB Remote NDIS Network Device” appears under the “Network adapter” device class following successful USB registration.



If the installation failed, contact your network administrator: The settings of the firewall used may need to be adjusted.

### 9.3 Starting the webConfig tool

To start the webConfig tool, click the icon located on the desktop. Make certain that the device is connected to the PC via the USB interface and that voltage is connected.

Or alternatively: Open a browser on your PC and enter the following address: 192.168.61.100. This is the default Leuze service address for communication with bar code readers of the BCL 600i series. In both cases, the following start page appears on your PC.

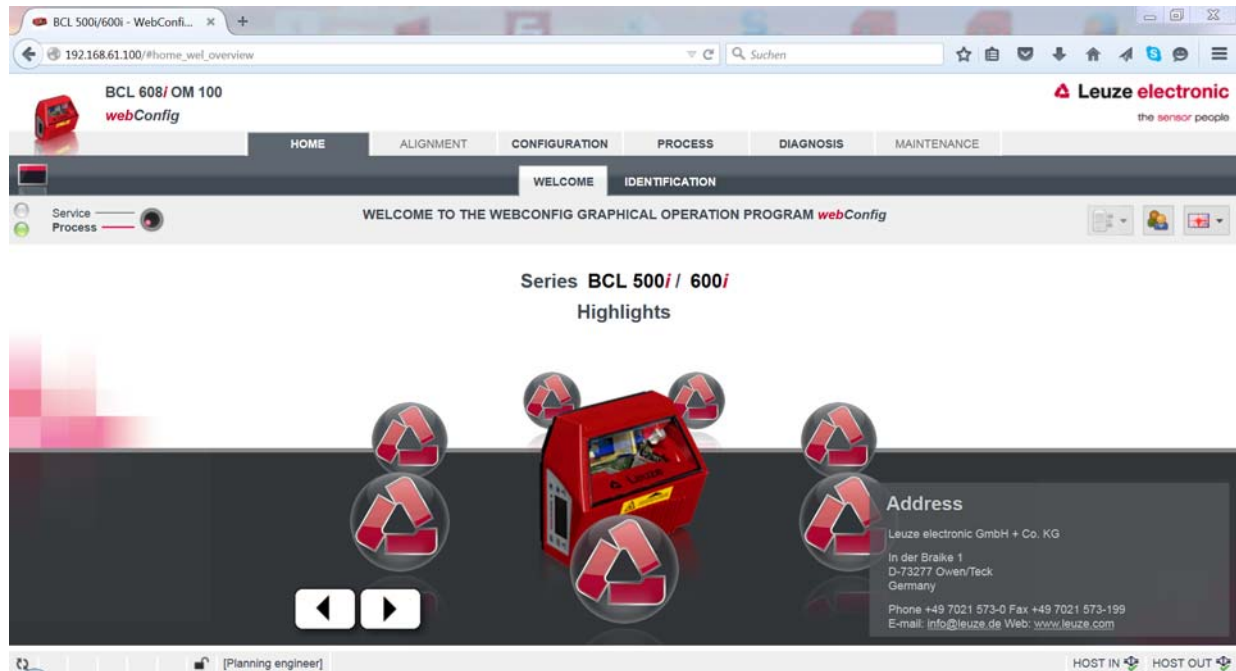


Figure 9.1: The start page of the webConfig tool



The webConfig tool is completely contained in the firmware of the device. Depending on firmware version, the start page may vary from that shown above.

The individual parameters are – where useful – graphically displayed in order to better illustrate the meaning of the what are often perceived as abstract parameters.

The result is an easy-to-use and practically-oriented user interface!

#### 9.4 Short description of the webConfig tool

The webConfig tool has five main menus:

- Home  
With information on the connected device as well as on installation. This information corresponds to the information in this handbook.
- Alignment  
For manually starting read processes and for aligning the bar code reader. The results of the read processes are displayed immediately. As a result, this menu item can be used to determine the optimum installation location.
- Configuration  
For adjusting decoding, for data formatting and output, switching inputs/outputs, communication parameters and interfaces, etc. ...
- Diagnosis  
For event logging of warnings and errors.
- Maintenance  
For updating the firmware.

The user interface of the webConfig tool is largely self-explanatory.

## 9.5 Module overview in the Configuration menu

The adjustable parameters of the device are clustered in modules in the Configuration menu.

The screenshot displays the webConfig tool interface for a BCL 608/OM 100 device. The main navigation bar includes tabs for HOME, ALIGNMENT, CONFIGURATION (selected), PROCESS, DIAGNOSIS, and MAINTENANCE. Below this, a secondary navigation bar shows OVERVIEW, DEVICE, DECODER, CONTROL, DATA, OUTPUT, and COMMUNICATION. The 'OVERVIEW' section is active, showing a 'MODULE OVERVIEW' diagram. This diagram illustrates the relationships between various modules: Oscillating mirror, Laser, Decoder, Data processing, Control, Output, Switching input, Display, Switching output, and Communication. A 'DESCRIPTION' panel on the right provides context, stating that the block diagram shows an overview of configurable modules and their relationships. The interface also includes a 'NAVIGATION' sidebar on the left with 'Module overview' and 'Parameter overview' options, and a status bar at the bottom showing the user as '[Planning engineer]' and host information.

Figure 9.2: Module overview in the webConfig tool



The webConfig tool is completely contained in the firmware of the device. Depending on firmware version, the module overview may vary from that shown above.

The individual modules and their relationships to one another are graphically displayed in the module overview. The display is context sensitive, i.e. click a module to directly access the corresponding submenu. An overview of the modules:

- Decoder  
Definition of code types, code-type features and number of digits of the labels that are to be decoded
- Data processing  
Filtering and processing of the decoded data
- Output  
Sorting of the processed data and comparison with reference codes
- Communication  
Formatting of the data for output via the communication interfaces
- Control  
Activation/deactivation of decoding
- Switching input  
Activation/deactivation of read processes
- Switching output  
Definition of events which activate/deactivate the switching output
- Display  
Formatting of the data for output on the display
- Oscillating mirror (optional)  
Setting oscillating mirror parameters

## 10 Starting up the device - Configuration

This chapter describes basic configuration steps which you can carry out either via the webConfig tool or the display.

### Via the webConfig tool

The most convenient way to configure the device is via the webConfig tool. Only the webConfig tool gives you access to all settings of the device. To use the webConfig tool, you need to establish a USB connection between the device and a PC/laptop.



Notes on use see chapter 9 "Commissioning – Leuze electronic webConfig tool".

### Via display

The display offers basic configuration options for the device. Configuration via the display is appropriate if you want to configure simple reading tasks and you cannot or do not want to set up a USB connection between the device and a PC/laptop.



Notes on use see chapter 3.5.2 "Status display and operation".

### 10.1 Measures to be performed prior to the initial commissioning

- ↪ Before commissioning, familiarize yourself with the operation and configuration of the device.
- ↪ Before connecting the supply voltage, recheck all connections and ensure that they have been properly made.
- ↪ Check the applied voltage. It must be in the range between +10V ... 30 V DC.

#### Connecting functional earth FE

- ↪ Ensure that the functional earth (FE) is connected correctly.

#### NOTICE

Unimpaired operation is only guaranteed when the functional earth is connected properly. All electrical disturbances (EMC couplings) are discharged via the functional earth connection.

### 10.2 Starting the device

- ↪ Connect the +10 ... 30VDC supply voltage (typ. +24VDC); the device starts up and the bar code reading window appears on the display.

By default, parameter enabling is deactivated and you cannot change any settings. If you wish to carry out the configuration via the display, you must activate parameter enabling (see chapter 8.6 "Operation", Parameter enable).

- ↪ As a first step, you need to set the communication parameters of the device.

You can make the necessary settings via the display or via the webConfig tool. The settings made by means of the webConfig tool are described here only briefly.

### 10.3 Setting the communication parameters

With the communication parameters, you determine how data is exchanged between device and host system, monitor PCs etc.

The communication parameters are independent of the topology in which the device is operated (see chapter 7.7 "Ethernet topologies").

#### 10.3.1 Manually setting the IP address

If your system does not include a DHCP server or if the IP addresses of the devices are to be set permanently, proceed as follows:

- ↪ Have the network administrator specify the data for IP address, net mask and gateway address of the device.

↵ Set these values on the device:

#### In the webConfig tool




↵ In the main menu, select Configuration -> Communication -> Ethernet interface.



If the setting is made via the webConfig tool, it becomes active following transfer to the device. A restart is not required!

#### Or alternatively in the display



Use the navigation buttons   to move through the menu. Activate the desired selection with the enter button .

↵ In the main menu, select the **Parameter menu**.

↵ Select the **Ethernet** menu item.

↵ Press the enter button to enter the menu.

↵ Select the **Ethernet interface** menu item.

↵ Press the enter button to enter the menu.

↵ Successively select the **IP address**, **Gateway** and **Net mask** menu items and set the desired values.

↵ Exit the menu with the Escape button.

The **Configuration changed, system must be restarted** message appears.

↵ Confirm with **OK** to initiate a restart and to activate the changed configuration.

### 10.3.2 Automatically setting the IP address

If your system includes a DHCP server which is to be used to assign the IP addresses, proceed as follows:

#### In the webConfig tool

↵ In the main menu, select Configuration -> Communication > Ethernet -> DHCP.

#### Or alternatively in the display

↵ In the main menu, select the **Parameter menu**.

↵ Select the **Ethernet** menu item.

↵ Press the enter button to enter the menu.

↵ Select the **Ethernet interface** menu item.

↵ Press the enter button to enter the menu.

↵ Select the **DHCP activated** menu item and set the desired value.

↵ Exit the menu with the Escape button.

The **Configuration changed, system must be restarted** message appears.

↵ Confirm with **OK** to initiate a restart and to activate the changed configuration.



The device responds to ping commands. A simple test to determine whether the address assignment was successful is to enter the previously configured IP address in a ping command (e.g. ping 192.168.60.101 in a command line window under Windows).

### 10.3.3 Address Link Label

The *Address Link Label* is an additional stick-on label that is affixed to the device.

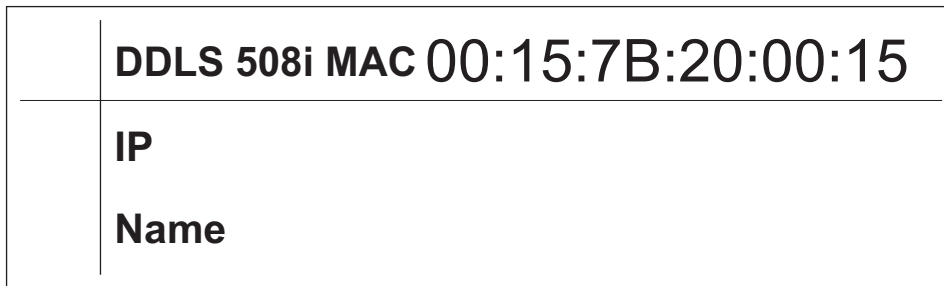


Figure 10.1: Example of an *Address Link Label*; the device type varies depending on series

- The *Address Link Label* contains the MAC address (Media Access Control address) of the device and offers the possibility to enter the IP address and the device name by hand. The area of the *Address Link Label* on which the MAC address is printed can be separated from the remainder of the stick-on label if necessary by means of the perforation.
- To use, the *Address Link Label* is peeled from the device and can be affixed in the installation and layout diagrams to designate the device.
- Once affixed in the documents, the *Address Link Label* establishes a unique reference between mounting location, MAC address or device, as well as the corresponding control program. The time-consuming searching, reading, and manually writing down of the MAC addresses of all devices installed in the system are eliminated.



Each device with Ethernet interface is uniquely identified via the MAC address assigned during production. The MAC address is also listed on the name plate of the device.

If multiple devices are commissioned in a system, the MAC address of each installed device must be correctly assigned, e.g., during programming of the control.

- ↪ Remove the *Address Link Label* from the device.
- ↪ Amend the IP address and the device name on the *Address Link Label* as necessary.
- ↪ Affix the “Address Link Label” in the documents, e.g., in the installation diagram, according to the position of the device.

#### 10.3.4 Ethernet host communication

The Ethernet host communication enables the configuration of connections to an external host system. Both UDP as well as TCP/IP (in either client or server mode) can be used. The connection-free UDP protocol is used primarily to transfer process data to the host (monitor operation). The connection-oriented TCP/IP protocol can also be used to transfer commands from the host to the device. With this connection, the data is backed up by the TCP/IP protocol itself.

If you would like to use the TCP/IP protocol, you must also define whether the device is to operate as a TCP client or as a TCP server.

Both protocols can be activated simultaneously and used in parallel.



Contact your network administrator to determine which communication protocol is used.

#### 10.3.5 TCP/IP

- ↪ Activate the TCP/IP protocol.
- ↪ Set the TCP/IP mode of the device.

In TCP client mode, the device actively establishes the connection to the superior host system (PC / PLC as server). The device requires from the user the IP address of the server (host system) and the port number on which the server (host system) accepts a connection. In this case, the device determines when and with whom a connection is established!

↵ With a device as TCP client, also set the following values:

- IP address of the TCP server (normally the PLC/host computer)
- Port number of the TCP server
- Timeout for the wait time for an answer from the server
- Repetition time for renewed communication attempt following a timeout

In TCP server mode, the superior host system (PC / PLC) actively establishes the connection and the connected device waits for the connection to be set up. The TCP/IP stack must be informed by the user as to the local port of the device (port number) on which connection requests from a client application (host system) are to be received. If there is a connection request and a connection is established by the superior host system (PC / PLC as client), the device (server mode) accepts the connection. Data can then be sent and received.

↵ With a device as TCP server, also set the following values:

- Port number for the communication of the device with the TCP clients

The corresponding adjustment options can be found:

#### In the webConfig tool

↵ In the main menu, select Configuration -> Communication -> Host communication.

#### Or alternatively in the display

↵ In the main menu, select the **Parameter menu**.

↵ In the Parameter menu, select the **Ethernet** menu item.

↵ Press the enter button to enter the menu.

↵ Select the **Host communication** menu item.

↵ Press the enter button to enter the menu.

↵ Select the **TcpIP** menu item.

↵ Press the enter button to enter the menu.

↵ Successively select the **Activated**, **Mode** and **TcpIP client** or **TcpIP server** menu items and set the desired values.

↵ Exit the menu with the Escape button.

### 10.3.6 UDP

The device requires from the user the IP address and the port number of the communication partner. In the same way, the host system (PC / PLC) now also requires the set IP address of the device and the selected port number. By assigning these parameters, a socket is formed via which the data can be sent and received.

↵ Activate the UDP protocol

↵ Also set the following values:

- IP address of the communication partner
- Port number of the communication partner

The corresponding adjustment options can be found:

#### In the webConfig tool

↵ In the main menu, select Configuration -> Communication -> Host communication.

#### Or alternatively in the display

↵ In the main menu, select the **Parameter menu**.

↵ In the Parameter menu, select the **Ethernet** menu item.

↵ Press the enter button to enter the menu.

↵ Select the **Host communication** menu item.

↵ Press the enter button to enter the menu.

↵ Select the **UDP** menu item.

↵ Press the enter button to enter the menu.

- ↵ Successively select the **Activated**, **IP address** and **Port number** menu items and set the desired values.
- ↵ Exit the menu with the Escape button.

## 10.4 Further settings

After the basic configuration of the operating mode and the communication parameters, you need to carry out further settings.

### 10.4.1 Decoding and processing the read data

The device offers the following possibilities:

- Setting the number of labels to be decoded for each reading gate (0 ... 64). This is done via the Max. no. of labels parameter.
- Definition of up to 8 different code types (4 different types if configured via the display). Labels that match one of the defined code types are decoded. Further parameters can be set for each code type:
  - Code type (symbology)
  - Number of digits: either up to 5 different numbers of digits (e.g., 10, 12, 16, 20, 24), or a range (Interval mode) and up to three additional numbers of digits (e.g., 2 ... 10, 12, 16, 26)
  - Reading reliability: the set value specifies how many times a label must be read and decoded with the same result before the result is accepted as valid.
  - Activation of the code reconstruction technology (CRT, in the webConfig tool only)
  - Additional code type specific settings (in the webConfig tool only)
  - Check digit method used for decoding as well as the type of check digit transmission for the output of the read result. The two possibilities for the latter are Standard (corresponds to the standard for the selected code type/symbology) and not Standard.

↵ Define at least one code type with the desired settings.

In the webConfig tool: Configuration -> Decoder

Or alternatively in the display: Parameter -> Decoder table

#### Data processing via the webConfig tool

In the Data and Output submenus of the Configuration main menu, the webConfig tool provides extensive data processing options to adapt the functionality of the device to the specific reading task:

- Data filtering and segmentation in the Data submenu:
  - Data filtering according to characteristics for handling identical bar code information
  - Data segmentation for differentiating between identifier and content of the read data
  - Data filtering according to content and/or identifier in order to suppress the output of bar codes with specific content/identifiers
  - Completeness inspection of the read data
- Sorting and formatting the output data in the Output submenu:
  - Configuration of up to 3 different sorting criteria. Sorting by physical data and content of the read bar codes.
  - Formatting of the data output for the HOST.
  - Formatting of the data output for the display.

### 10.4.2 Control of the decoding

In general, decoding is controlled via one or more of the configurable switching inputs/outputs. For this purpose, the respective connection to the SW IN/OUT and POWER interfaces must be configured as a switching input.

Via a switching input, you can:

- start decoding
- stop decoding
- start decoding and then stop decoding after a configurable time period
- read a reference code
- start the automatic code type configuration (AutoConfig)

- ↪ Connect the required control devices (photoelectric sensor, proximity switch, etc.) to the device (see chapter 7).
- ↪ Configure the connected switching inputs according to your requirements. To do this, first set the I/O mode to Input and then configure the switching behavior.

In webConfig: Configuration -> Device -> Switching inputs/outputs

Or alternatively in the display: Parameter -> Digital SWIO -> Switching input/output 1-4



Alternatively, one can also activate decoding via the online command + and deactivate it via the online command -. For further information on the online commands, see chapter 11 "Online commands".

### Advanced decoder control in the webConfig tool

The webConfig tool provides advanced functions, in particular for deactivating decoding. These may be accessed via the Control submenu of the Configuration main menu. You can:

- activate decoding automatically (delayed)
- stop decoding after a maximum reading gate time
- stop decoding via the completeness mode, if:
  - the maximum number of bar codes to be decoded has been decoded
  - a positive reference code comparison has taken place.

### 10.4.3 Control of the switching outputs

By using the switching inputs/outputs of the device, external event-controlled functions can be implemented without assistance from the superior process control. For this purpose, the respective connection at the SW IN/OUT and POWER interfaces must be configured as a switching output.

A switching output can be activated:

- at the start/end of the reading gate
  - depending on the read result:
    - reference code comparison positive/negative
    - read result valid/invalid
  - depending on the state of the device:
    - ready/not ready
    - data transmission active/not active
    - active/standby
    - error/no error
  - etc.
- ↪ Connect the required switching outputs (see chapter 7).
  - ↪ Configure the connected switching outputs according to your requirements. To do this, first set the I/O mode to Output and then configure the switching behavior.
- In webConfig: Configuration -> Device -> Switching inputs/outputs
- Or alternatively in the display: Parameter -> Digital SWIO -> Switching input/output 1-4

## 10.5 Transmitting configuration data

Instead of going through the tedious task of configuring every parameter of the device individually, you can also conveniently transfer configuration data.

In general, there are two possibilities for transferring configuration data between two bar code readers:

- Storage in a file and transfer using the webConfig tool
- Using the external parameter memory

### 10.5.1 Via the webConfig tool

With the webConfig tool, you can store entire configurations of the device on data carriers and transfer them from these to the device.

This storage of configuration data is especially useful if you want to store basic configurations which will require only minor changes.

In the webConfig tool, you store the configuration data via the buttons in the upper part of the middle window of all submenus of the Configuration main menu.

### **10.5.2 With the external parameter memory**

The use of the external parameter memory permits the easy replacement of a defective device on site.

This requires an external parameter memory to be installed permanently to the USB connection of the device.

The device stores a copy of the current configuration in the external parameter memory. This copy is immediately updated when the configuration is changed via the display or by a superior host system (PC/PLC) via online commands.

## 11 Online commands

Online commands can be used to send commands directly to the device for control and configuration. For this purpose, the device must be connected to a host- or service computer via the interface. The commands described can be sent either via the host or the service interface.

### Online commands

With the commands, you can:

- control/decode.
- read/write/copy parameters.
- carry out an automatic configuration.
- teach-in/set reference codes.
- call up error messages.
- call up statistical device information.
- carry out a software reset in order to reinitialize the device.

### Syntax

Online commands consist of one or two ASCII characters followed by command parameters. No separation characters may be entered between the command and the command parameter(s). Both small and capitalized letters can be used.

Example:

Command CA:	autoConfig function
Parameter +:	Activation
Transmitted is:	CA+

Most online commands are acknowledged by the device and any requested data returned. For commands that are not acknowledged, command execution can be observed or monitored directly on the device.

### 11.1 General online commands

#### Software version number

Command	V
Description	Requests device version information
Parameter	No
Acknowledgment	BCL 608i SM 102 V 1.3.8 2014-12-15 The first line contains the device type, followed by the device version number and version date. (The data which is actually displayed may vary from the values given here.)



This command returns the major release number of the software packet. This major release number also appears on the display during start-up.

This command can be used to check whether the connected host or service computer is properly connected and configured. If you do not receive an acknowledgment, please check interface connections, protocol and service switches.

**Software reset**

Command	H
Description	Carries out a software reset. The device is restarted and reinitialized, leaving it in the same state as when the supply voltage is switched on
Parameter	No
Acknowledgment	S (start signal)

**Code recognition**

Command	CC
Description	Detects an unknown bar code and outputs number of digits, code type, and code information to the interface, without storing the bar code in the parameter memory.
Parameter	No
Acknowledgment	<p>xx yy zzzzzz</p> <p>xx:            Number of digits of the read code</p> <p>yy:            Code type of the read code</p> <p>          01    2/5 Interleaved</p> <p>          02    Code 39</p> <p>          06    UPC (A, E)</p> <p>          07    EAN</p> <p>          08    Code 128, EAN 128</p> <p>          10    EAN Addendum</p> <p>          11    Codabar</p> <p>zzzzzz       Contents of the decoded label. A appears if the label was not correctly read</p>

**autoConfig**

Command	CA
Description	Activates or deactivates the autoConfig function. Certain label reading parameters are programmed automatically in the setup by the labels which the device reads while the autoConfig function is active.
Parameter	<p>+            Activates autoConfig</p> <p>/            Rejects the last code read</p> <p>-            Deactivates autoConfig and stores the decoded data in the current parameter set</p>

Command	CA
Acknowledgment	<p>CSx</p> <p>x            Status</p> <p>0          Valid CA command</p> <p>1          Invalid command</p> <p>2          autoConfig could not be activated</p> <p>3          autoConfig could not be deactivated</p> <p>4          Result could not be deleted</p>
Description	<p>xx yy zzzzzz</p> <p>xx            Number of digits of the read code</p> <p>yy            Code type of the read code</p> <p>01          2/5 Interleaved</p> <p>02          Code 39</p> <p>06          UPC (A, E)</p> <p>07          EAN</p> <p>08          Code 128, EAN 128</p> <p>10          EAN Addendum</p> <p>11          Codabar</p> <p>zzzzzz      Contents of the decoded label. A appears if the label was not correctly read</p>

**Alignment mode**

Command	JP
Description	<p>This command simplifies mounting and alignment of the device. After activating the function with <b>JP+</b>, the device continuously supplies status information to the serial interfaces.</p> <p>With this online command, the scanner is set to terminate the decoding after 100 successfully decoded labels and output the status information. Subsequently, the read process is reactivated automatically.</p> <p>In addition to the output of the status information, the laser beam is used to display the reading quality. Depending on how many read results could be extracted, the duration of the laser's off time increases.</p> <p>If the reading quality is high, the laser beam flashes in brief, regular intervals. The worse the decoder decodes, the longer the pauses become during which the laser is switched off. The flashing intervals become more and more irregular because the laser may, in total, be active for longer to extract more labels. The duration of the pauses has been stepped in such a way that they can be distinguished by the eye.</p>
Parameter	<p>+            Starts the adjustment mode.</p> <p>-            Ends the adjustment mode.</p>

Command	JP
Acknowledgment	<p>yyy_zzzzzz</p> <p>yyy      Read quality in %. A high process availability is ensured at read qualities &gt; 75 %.</p> <p>zzzzzz      Bar code information.</p>


**Manual definition of the reference code**

Command	RS
Description	This command can be used to define a new reference code in the device by means of direct input via the serial interface. The data is saved in the parameter set according to your input under reference code 1 through 2 and stored in the working buffer for direct further processing.
Parameter	<p>RSyvxxzzzzzzzz</p> <p>y, v, x and z are placeholders (variables) for the actual input.</p> <p>y      Defined reference code no.</p> <p>        1      (code 1)</p> <p>        2      (code 2)</p> <p>v      Storage location for reference code:</p> <p>        0      RAM+EEPROM,</p> <p>        3      RAM only</p> <p>xx      Defined code type (see command CA)</p> <p>z      Defined code information (1 ... 63 characters)</p>
Acknowledgment	<p>RSx</p> <p>x      Status</p> <p>        0      Valid Rx command</p> <p>        1      Invalid command</p> <p>        2      Insufficient memory for reference code</p> <p>        3      Reference code has not been saved</p> <p>        4      Reference code invalid</p>
Example	Input = RS130678654331 (Code 1 (1), RAM only (3), UPC (06), code information)

**Reference code teach-in**

Command	RT
Description	This command enables a reference code to be defined quickly by reading an example label.

Command	RT
Parameter	<p>RTy</p> <p>y            Function</p> <p>          1    Defines reference code 1</p> <p>          2    Defines reference code 2</p> <p>          +    Activates the definition of reference code 1 up to the value of Parameter no_of_labels</p> <p>          -    Ends the teach event</p>
Acknowledgment	<p>The device first responds with the command RS and corresponding status (see command RS). After a bar code has been read, it sends the result in the following format:</p> <p>RCyvxxzzzzz</p> <p>y, v, x and z are placeholders (variables) for the actual input.</p> <p>y            Defined reference code no.</p> <p>          1    (code 1)</p> <p>          2    (code 2)</p> <p>v            Storage location for reference code</p> <p>          0    RAM+EEPROM,</p> <p>          3    RAM only</p> <p>xx          Defined code type (see command CA)</p> <p>z            Defined code information (1 ... 63 characters)</p>

 With this function, only code types are recognized that are identified using the autoConfig function or which were set in the set-up.

↳ After each reading via an RTy command, explicitly switch off the function again since failure to do so will interfere with other commands as well as prevent execution of a new RTx command.

**Reading a reference code**

Command	RR
Description	The command reads out the reference code defined in the device. If no parameters are specified, all defined codes are output.
Parameter	<p>&lt;reference code number&gt;</p> <p>1 ... 2 value range of reference code 1 to 2</p>

Command	RR
Acknowledgment	<p>If no reference codes are defined, the device responds with the RS command and corresponding status (see command RS). For valid codes, the output corresponds to the following format:</p> <p>RCyvxxzzzzzz</p> <p>y, v, x and z are placeholders (variables) for the actual input.</p> <p>y            Defined reference code no.</p> <p>          1    (code 1)</p> <p>          2    (code 2)</p> <p>v            Storage location for reference code</p> <p>          0    RAM+EEPROM,</p> <p>          3    RAM only</p> <p>xx          Defined code type (see command CA)</p> <p>z            Defined code information (1 ... 63 characters)</p>

## 11.2 Online commands for system control

### Activating sensor input

Command	+
Description	<p>The command activates decoding. This command is used to activate the reading gate. It remains active until it is deactivated by one of the following criteria:</p> <ul style="list-style-type: none"> <li>• Deactivation by a manual command</li> <li>• Deactivation by a switching input</li> <li>• Deactivation upon reaching the specified read quality (equal scans)</li> <li>• Deactivation by timeout</li> <li>• Deactivation upon reaching a preset number of scans without information.</li> </ul>
Parameter	No
Acknowledgment	None

### Deactivating sensor input

Command	-
Description	<p>The command deactivates decoding. This command can be used to deactivate the reading gate. Following deactivation, the read result is output. Because the reading gate was manually deactivated and, thus, no GoodRead criterion was met, a NoRead is output.</p>
Parameter	No
Acknowledgment	None

### 11.3 Online commands for the parameter set operations

#### Copying parameter set

Command	PC
Description	This command can only be used to copy parameter sets in their entirety. This can be used to replicate the three parameter sets default, permanent and operating parameters on the basis of one another. In addition, this command also be used to restore the factory settings.
Parameter	<p>PC&lt;Source type&gt;&lt;Target type&gt;</p> <p>&lt;Source type&gt;      Parameter data set that is to be copied, unit [dimensionless]</p> <p>                    0      Parameter data set in permanent memory</p> <p>                    2      Default or factory parameter set</p> <p>                    3      Operating parameter data set in volatile memory</p> <p>&lt;Target type&gt;      Parameter set into which the data is to be copied, unit [dimensionless]</p> <p>                    0      Parameter data set in permanent memory</p> <p>                    3      Operating parameter data set in volatile memory</p> <p>Permissible combinations here include:</p> <p>03                  Copying the data set from the permanent memory to the operating parameter data set</p> <p>30                  Copying the operating parameter data set to the permanent parameter set memory</p> <p>20                  Copying the default parameters to the permanent memory and to the main memory</p>
Acknowledgment	<p>PS=&lt;aa&gt;</p> <p>&lt;aa&gt;                  Status acknowledgment, unit [dimensionless]</p> <p>                    00      ok</p> <p>                    01      Syntax error</p> <p>                    02      Impermissible command length</p> <p>                    03      Reserved</p> <p>                    04      Reserved</p> <p>                    05      Reserved</p> <p>                    06      Impermissible combination, source type - target type</p>

Requesting parameter data set from device

Command	PR
Description	The parameters of the device are grouped together in a parameter set and permanently stored in memory. There is one parameter set in permanent memory and one operating parameter set in volatile memory; in addition, there is a default parameter set (factory parameter set) for initialization. This command can be used to edit the first two parameter sets (in permanent and volatile memory). A check sum can be used for reliable parameter transfer.
Parameter	<p>PR&lt;BCC type&gt;&lt;PS type&gt;&lt;Address&gt;&lt;Data length&gt;[&lt;BCC&gt;]</p> <p>&lt;BCC type&gt;    Check-digit function during transmission, unit [dimensionless]</p> <p>                  0    Not used</p> <p>                  3    BCC mode 3</p> <p>&lt;PS type&gt;        Memory from which the values are to be read, unit [dimensionless]</p> <p>                  0    Parameter values stored in the flash memory</p> <p>                  1    Reserved</p> <p>                  2    Default values</p> <p>                  3    Operating values in RAM</p> <p>&lt;Address&gt;        Relative address of the data within the data set</p> <p>                  aaaa    Four-digit, unit [dimensionless]</p> <p>&lt;Data length&gt;    Length of the parameter data to be transferred</p> <p>                  bbbb    Four-digit, unit [length in bytes]</p> <p>&lt;BCC&gt;            Check sum calculated as specified under BCC type</p>

Command	PR
Acknowledgment positive	<p>PT&lt;BCC type&gt;&lt;PS type&gt;&lt;Status&gt;&lt;Start&gt;</p> <p>&lt;Parameter value - address&gt;&lt;Parameter value - address+1&gt;...</p> <p>[;&lt;Address&gt;&lt;Parameter value - address&gt;][&lt;BCC&gt;]</p> <p>&lt;BCC type&gt;    Check-digit function during transmission, unit [dimensionless]</p> <p>          0    Not used</p> <p>          3    BCC mode 3</p> <p>&lt;PS type&gt;    Memory from which the values are to be read, unit [dimensionless]</p> <p>          0    Parameter values stored in the flash memory</p> <p>          2    Default values</p> <p>          3    Operating values in RAM</p> <p>&lt;Status&gt;    Mode of parameter processing, unit [dimensionless]</p> <p>          0    No further parameters</p> <p>          1    Additional parameters follow</p> <p>&lt;Start&gt;    Relative address of the data within the data set</p> <p>          aaaa    Four-digit, unit [dimensionless]</p> <p>&lt;P.value A.&gt;    Parameter value of the parameter stored at this address; the parameter set data 'bb' is converted from HEX format to a 2-byte ASCII-format for transfer.</p> <p>&lt;BCC&gt;    Check sum calculated as specified under BCC type</p>
Acknowledgment negative	<p>PS=&lt;aa&gt;</p> <p>Parameter reply:</p> <p>&lt;aa&gt;    Status acknowledgment, unit [dimensionless]</p> <p>          01    Syntax error</p> <p>          02    Impermissible command length</p> <p>          03    Impermissible value for checksum type</p> <p>          04    Invalid check sum received</p> <p>          05    Impermissible number of data requested</p> <p>          06    Requested data does not (any longer) fit in the transmission buffer</p> <p>          07    Impermissible address value</p> <p>          08    Read access after end of data set</p> <p>          09    Impermissible QPF data set type</p>



Command	PD
Acknowledgment positive	<p>PT&lt;BCC&gt;&lt;PS type&gt;&lt;Status&gt;&lt;Addr.&gt;&lt;P.value addr.&gt;&lt;P.valueAddr.+1&gt;...                      [;&lt;Addr.&gt;&lt;P.value addr.&gt;]</p> <p>&lt;BCC&gt;</p> <p>0 No check digits</p> <p>3 BCC mode 3</p> <p>&lt;PS type&gt;</p> <p>0 Parameter values stored in the flash memory</p> <p>3 Operating values stored in RAM</p> <p>&lt;Status&gt;</p> <p>0 No further parameters</p> <p>1 Additional parameters follow</p> <p>&lt;Addr.&gt; Relative address of the data within the data set</p> <p>aaaa Four-digit, unit [dimensionless]</p> <p>&lt;P.value&gt; Parameter value of the -bb- parameter stored at this address. The parameter set data is converted from HEX format to a 2-byte-ASCII format for transfer.</p>
Acknowledgment negative	<p>PS=&lt;aa&gt;</p> <p>&lt;aa&gt; Status acknowledgment, unit [dimensionless]</p> <p>0 No difference</p> <p>1 Syntax error</p> <p>2 Impermissible command length</p> <p>6 Impermissible combination, parameter set 1 and parameter set 2</p> <p>8 Invalid parameter set</p>

**Writing parameter set**

Command	PT
Description	<p>The parameters of the device are grouped together in a parameter set and permanently stored in memory. There is one parameter set in permanent memory and one operating parameter set in volatile memory; in addition, there is a default parameter set (factory parameter set) for initialization. This command can be used to edit the first two parameter sets (in permanent and volatile memory). A check sum can be used for reliable parameter transfer.</p>

Command	PT
Parameter	<p>PT&lt;BCC type&gt;&lt;PS type&gt;&lt;Status&gt;&lt;Addr.&gt;&lt;P.value addr.&gt;                      &lt;P.value addr+1&gt;...[;&lt;Addr.&gt;&lt;P.value addr.&gt;][&lt;BCC&gt;]</p> <p>&lt;BCC type&gt;    Check-digit function during transmission,                      unit [dimensionless]</p> <p>          0    No check digits</p> <p>          3    BCC mode 3</p> <p>&lt;PS type&gt;    Memory from which the values are to be read,                      unit [dimensionless]</p> <p>          0    Parameter values stored in the flash memory</p> <p>          3    Operating values stored in RAM</p> <p>&lt;Status&gt;    Mode of parameter processing, no function here,                      unit [dimensionless]</p> <p>          0    No reset after parameter change, no further parameters</p> <p>          1    No reset after parameter change, additional parameters follow</p> <p>          2    With reset after parameter change, no further parameters</p> <p>          6    Set parameters to factory setting, no further parameters</p> <p>          7    Set parameters to factory settings, lock all code types; the                      code-type setting must follow in the command!</p> <p>&lt;Addr.&gt;    Relative address of the data within the data set</p> <p>          aaaa    Four-digit,                      unit [dimensionless]</p> <p>&lt;P.value&gt;    Parameter value of the -bb- parameter stored at this address.                      The parameter set data is converted from HEX format to a 2-                      byte-ASCII format for transfer.</p> <p>&lt;BCC&gt;    Check sum calculated as specified under BCC type.</p>



## 12 Care, maintenance and disposal

Usually, the bar code reader does not require any maintenance by the operator.

### 12.1 Cleaning

↪ In the event of dust build-up, clean the device with a soft cloth; use a cleaning agent (commercially available glass cleaner) if necessary.

<b>NOTICE</b>
Do not use aggressive cleaning agents such as thinner or acetone to clean the device.

### 12.2 Servicing

### 12.3 Disposing

↪ For disposal observe the applicable national regulations regarding electronic components.

## 13 Diagnostics and troubleshooting

### 13.1 General causes of errors

Table 13.1: General causes of errors

Faults	Possible error causes	Measures
Status LED PWR		
Off	<ul style="list-style-type: none"> <li>No supply voltage connected to the device</li> <li>Hardware error</li> </ul>	<ul style="list-style-type: none"> <li>Check supply voltage</li> <li>Send device to customer service</li> </ul>
Red, flashing	<ul style="list-style-type: none"> <li>Warning</li> </ul>	<ul style="list-style-type: none"> <li>Query diagnostic data and carry out the resulting measures</li> </ul>
Red, continuous light	<ul style="list-style-type: none"> <li>Error: no function possible</li> </ul>	<ul style="list-style-type: none"> <li>Internal device error, send in device</li> </ul>
Orange, continuous light	<ul style="list-style-type: none"> <li>Device in service mode</li> </ul>	<ul style="list-style-type: none"> <li>Reset service mode with webConfig tool or display</li> </ul>
Status LED NET		
Off	<ul style="list-style-type: none"> <li>No supply voltage connected to the device</li> <li>Hardware error</li> </ul>	<ul style="list-style-type: none"> <li>Check supply voltage</li> <li>Send device to customer service</li> </ul>
Red, flashing	<ul style="list-style-type: none"> <li>Communication error</li> </ul>	<ul style="list-style-type: none"> <li>Check interface</li> </ul>
Red, continuous light	<ul style="list-style-type: none"> <li>Communication error on the PROFINET-IO: No communication to IO controller established (no data exchange)</li> <li>No communication</li> </ul>	<ul style="list-style-type: none"> <li>Check interface</li> </ul>

### 13.2 Interface errors

Table 13.2: Interface error

Faults	Possible error causes	Measures
No communication via USB service interface	<ul style="list-style-type: none"> <li>Incorrect interconnection cable</li> <li>Connected device is not recognized</li> </ul>	<ul style="list-style-type: none"> <li>Check interconnection cable</li> <li>Install USB driver</li> </ul>
No communication via Ethernet interface	<ul style="list-style-type: none"> <li>Incorrect wiring</li> <li>Different protocol settings</li> <li>Protocol not released</li> </ul>	<ul style="list-style-type: none"> <li>Check wiring</li> <li>Check protocol settings</li> <li>Activate TCP/ IP or UDP</li> </ul>
Sporadic errors at the Ethernet interface	<ul style="list-style-type: none"> <li>Incorrect wiring</li> <li>Effects due to EMC</li> <li>Overall network expansion exceeded</li> </ul>	<ul style="list-style-type: none"> <li>Check wiring</li> <li>In particular, check wire shielding</li> <li>Check the cable used</li> <li>Check shielding (shield covering in place up to the clamping point)</li> <li>Check grounding concept and connection to functional earth (FE)</li> <li>Avoid EMC coupling caused by power cables laid parallel to device lines</li> <li>Check max. network expansion as a function of the max. cable lengths</li> </ul>

## 14 Service and support

24-hour on-call service at:  
+49 (0) 7021 573-0

Service hotline:  
+49 (0) 7021 573-123  
Monday to Friday 8.00 a.m. to 5.00 p.m. (UTC+1)

E-mail:  
service.identify@leuze.de

Return address for repairs:  
Service center  
Leuze electronic GmbH + Co. KG  
In der Braike 1  
D-73277 Owen / Germany

### 14.1 What to do should servicing be required?



Please use this chapter as a master copy should servicing be required!

Enter the contact information and fax the form together with your service order to the fax number given below.

#### Customer data (please complete)

Device type:	
Serial number:	
Firmware:	
Display messages:	
LED states:	
Error description:	
Company:	
Contact person/department:	
Phone (direct):	
Fax:	
Street/No:	
ZIP code/City:	
Country:	

**Leuze Service fax number:**  
**+49 7021 573 - 199**

## 15 Technical data

### 15.1 General specifications

#### 15.1.1 Line scanner

Table 15.1: Optics

Light source	Laser diode
Wavelength	405 nm (blue light)
Beam exit	Front
Scanning rate	800 / 1000 scans/s
Beam deflection	By means of rotating polygon wheel
Useful opening angle	Max. 60°
Optics models / resolution	Medium Density (M): 0.25 ... 0.5 mm Low Density (F): 0.3 ... 0.5 mm
Reading distance	see chapter 15.4 "Reading field curves / optical data"
Laser class	2 acc. to EN 60825-1, CDRH (U.S. 21 CFR 1040.10)

Table 15.2: Bar code

Code types	2/5 Interleaved, Code 39, Code 128, EAN 128, EAN / UPC, Codabar, Code 93, GS1 DataBar Omnidirectional
Bar code contrast (PCS)	³ 60 %
External light tolerance	2000 lx (on the bar code)
Number of bar codes per scan	6

Table 15.3: Interface

Interface type	Interface type: 2x Ethernet on 2x M12 (D)
Protocols	Protocols: Ethernet TCP/IP (client / server) / UDP
baud rate	10/100 MBaud

Table 15.4: Electrical equipment

Service interface	USB 1.1 compatible, A-coded
-------------------	-----------------------------

Switching input/Switching output	4 switching inputs/outputs, freely programmable functions - Switching input: 10 ... 30 V DC depending on supply voltage, I max. = 8 mA - Switching output: 10 ... 30VDC depending on supply voltage, I max. = 60mA (short-circuit proof) Switching inputs/outputs protected against polarity reversal!
Supply voltage	10 ... 30 V DC (Class II, Safety Class III)
Power consumption	Max. 10 W

Table 15.5: Operating and display elements

Display	Monochromatic graphical display, 128 x 64 pixel, with background lighting
Keyboard	4 buttons
LEDs	2 LEDs for power (PWR) and bus state (BUS), two-colored (red/green)

Table 15.6: Mechanics

Degree of protection	IP 65 (with screwed-on M12 plugs or mounted caps)
Weight	1.1 kg
Dimensions (HxWxD)	63 x 123.5 x 106.5 mm
Housing	Diecast aluminum

Table 15.7: Environmental data

Operating temperature range	0 °C ... +40 °C
Storage temperature range	-20 °C ... +70 °C
Air humidity	max. 90 % rel. humidity, non-condensing
Vibration	IEC 60068-2-6, Test Fc
Shock	IEC 60068-2-27, Test Ea
Continuous shock	IEC 60068-2-29, test Eb
Electromagnetic compatibility	EN 55022; IEC 61000-6-2 (contains IEC 61000-4-2, -3, -4, -5 and -6) <sup>a)</sup>

a) This is a Class A product. In a domestic environment this product may cause radio interference, in which case the operator may be required to take adequate measures.

### 15.1.2 Oscillating-mirror scanner

Specifications are the same as for line scanner with the following differences:

Table 15.8: Optics

Beam exit	Lateral zero position at an angle of 90°
Beam deflection	Via rotating polygon wheel (horizontal) and stepping motor with mirror (vertical)
Oscillation frequency	0 ... 10 Hz (adjustable, max. frequency is dependent on set swivel angle)
Max. swivel angle	±20° (adjustable)
Reading field height	see chapter 15.4 "Reading field curves / optical data"

Table 15.9: Electrical equipment

Power consumption	Max. 14 W
-------------------	-----------

Table 15.10: Mechanics

Weight	1.5 kg
Dimensions (HxWxD)	84 x 173 x 147 mm

15.2 Dimensioned drawings

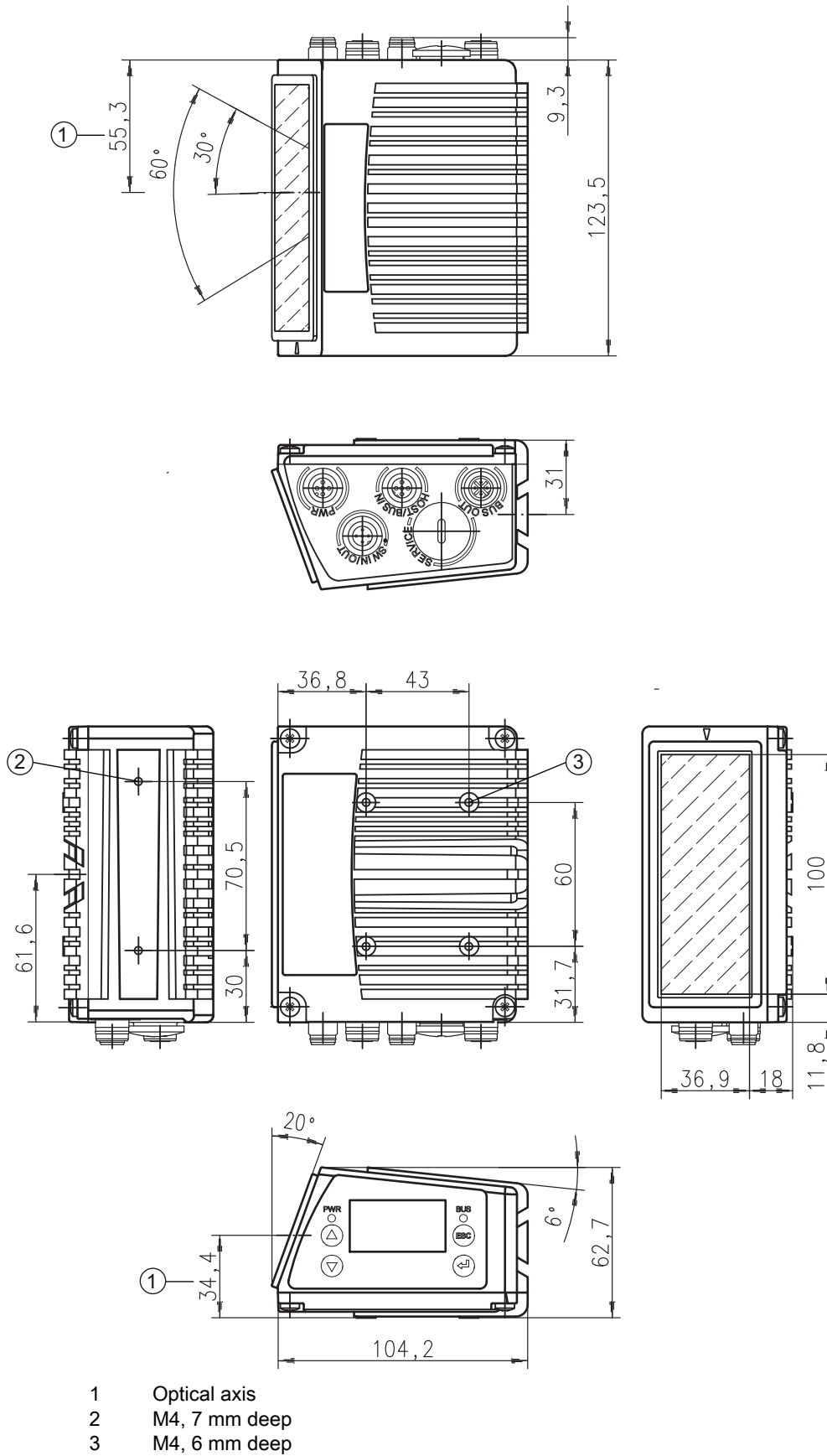
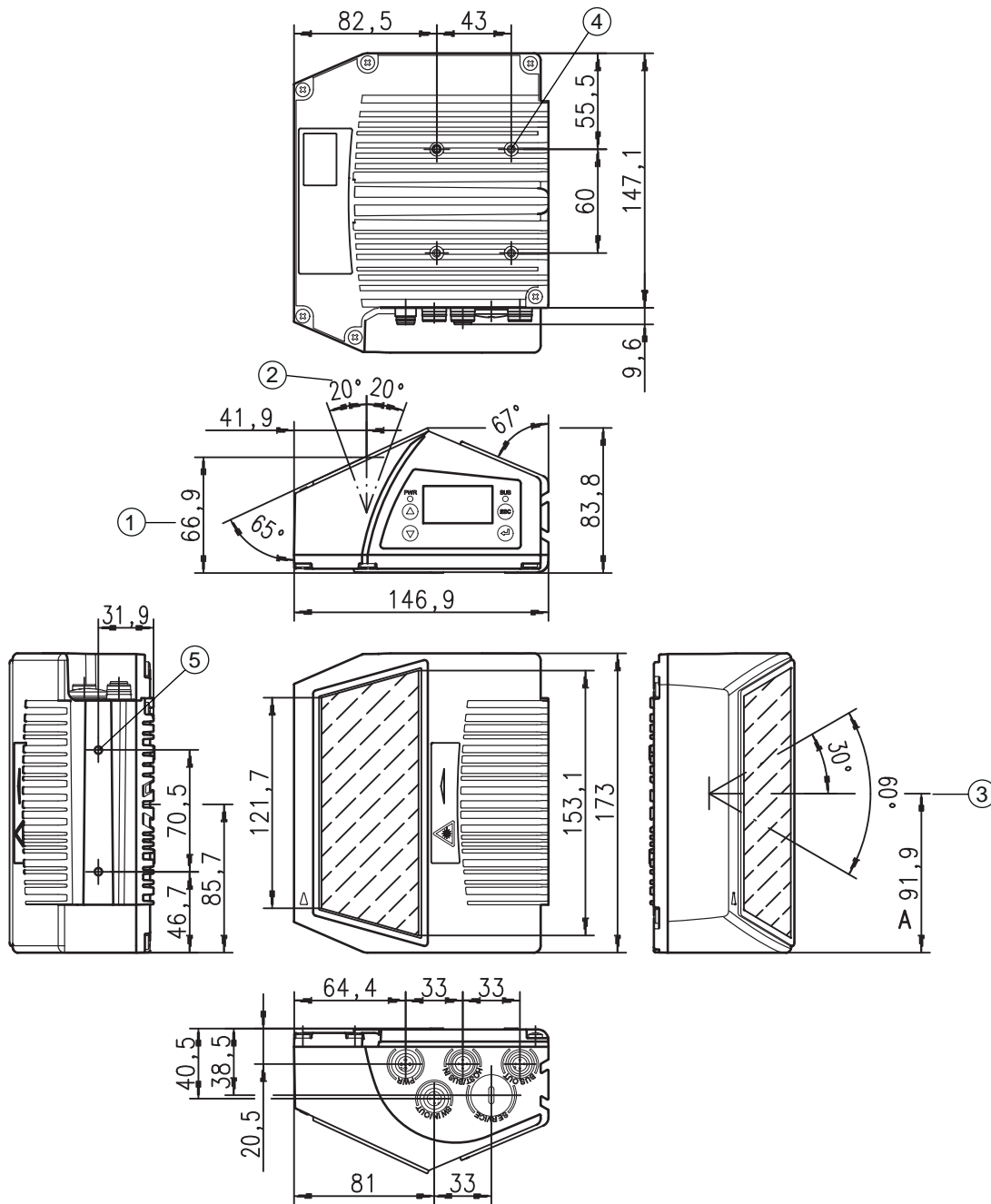


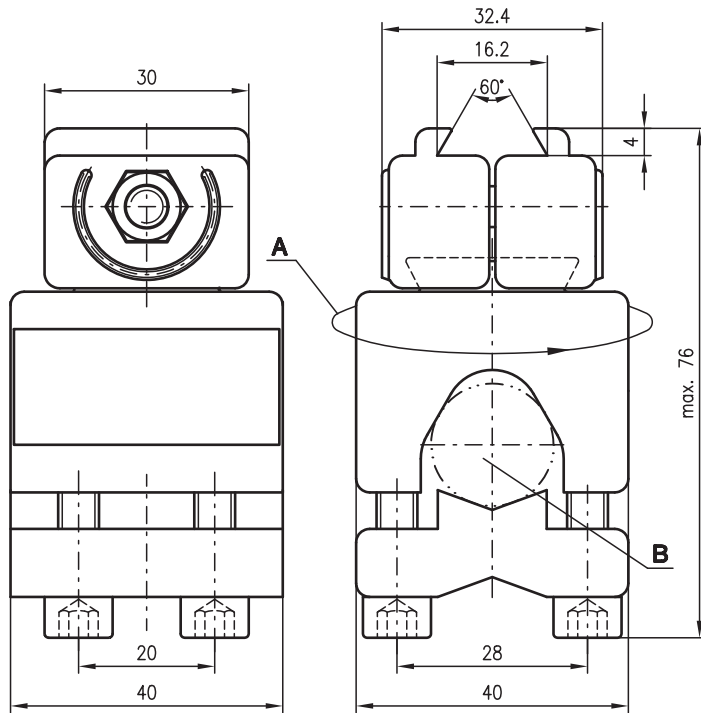
Figure 15.1: Dimensioned drawing - line scanner



- 1 Optical axis
- 2 Optical swivel range
- 3 Opening angle
- 4 M4, 7 mm deep
- 5 M4, 6 mm deep

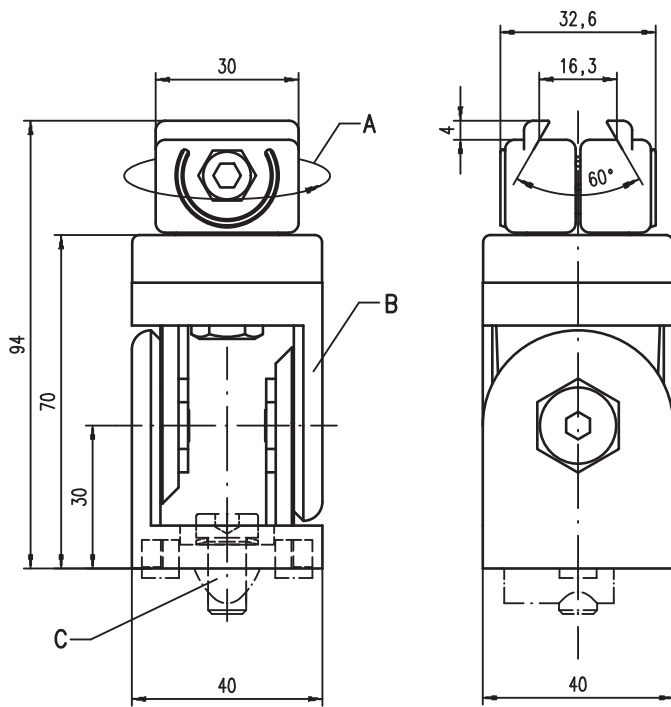
Figure 15.2: Dimensioned drawing - oscillating-mirror scanner

15.3 Dimensioned drawings: Accessories



- A Holder, turnable 360°
- B Rods,  $\varnothing$  16 ... 20 mm

Figure 15.3: BT 56 mounting device



- A Holder, turnable 360°
- B ITEM joint, adjustable  $\pm 90^\circ$
- C M8x16 screwable cylinder, M8 serrated washer, M8 sliding block, connectors for ITEM profile (2x)

Figure 15.4: BT 59 mounting device

## 15.4 Reading field curves / optical data

### Bar code characteristics



Please note that the size of the bar code module influences the maximum reading distance and the width of the reading field. Therefore, when selecting a mounting location and/or the bar code label, take into account the different reading characteristics of the scanner with various bar code modules.



- M Module: The narrowest line or space of a bar code in mm
- $Z_B$  Wide character: Wide bars and gaps are a multiple (ratio) of the module. Module x Ratio =  $Z_B$  (Normal Ratio 1 : 2.5)
- $B_z$  Quiet zone: The quiet zone should be at least 10 times the module, but not less than 2.5 mm.
- L Code length: The length of the bar code in mm including the start and stop characters. The quiet zone is included depending on the code definition.
- $S_L$  Bar length: height of the elements in mm

Figure 15.5: The most important characteristics of a bar code

The range in which the bar code can be read by the device (the so-called reading field) depends on the quality of the printed bar code and its dimensions.

Therefore, above all, the module of a bar code is decisive for the size of the reading field.



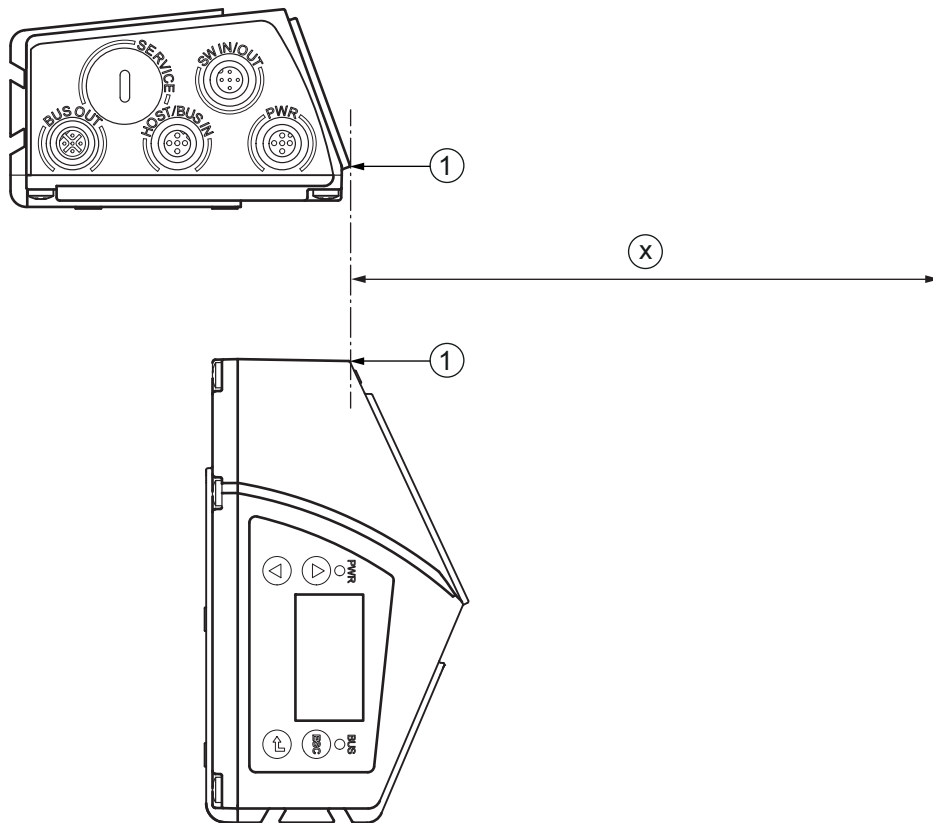
A rule of thumb: The smaller the module of the bar code is, the smaller the maximum reading distance and reading field width will be

## 15.5 Reading field curves



Please notice that the real reading fields are also influenced by factors such as labeling material, printing quality, reading angle, printing contrast etc., and may thus deviate from the reading fields specified here.

The zero position of the reading distance always refers to the front edge of the housing of the beam exit and is shown for the two housing types of the device (see figure 15.6).



- 1 Zero position
- x Distance acc. to reading field curves

Figure 15.6: Zero position of the reading distance

**Reading conditions for the reading field curves**

Table 15.11: Reading conditions

Bar code type	2/5 Interleaved
Ratio	1:2.5
ANSI specification	class A
Reading rate	> 75%

15.5.1 Medium Density (M) - optics

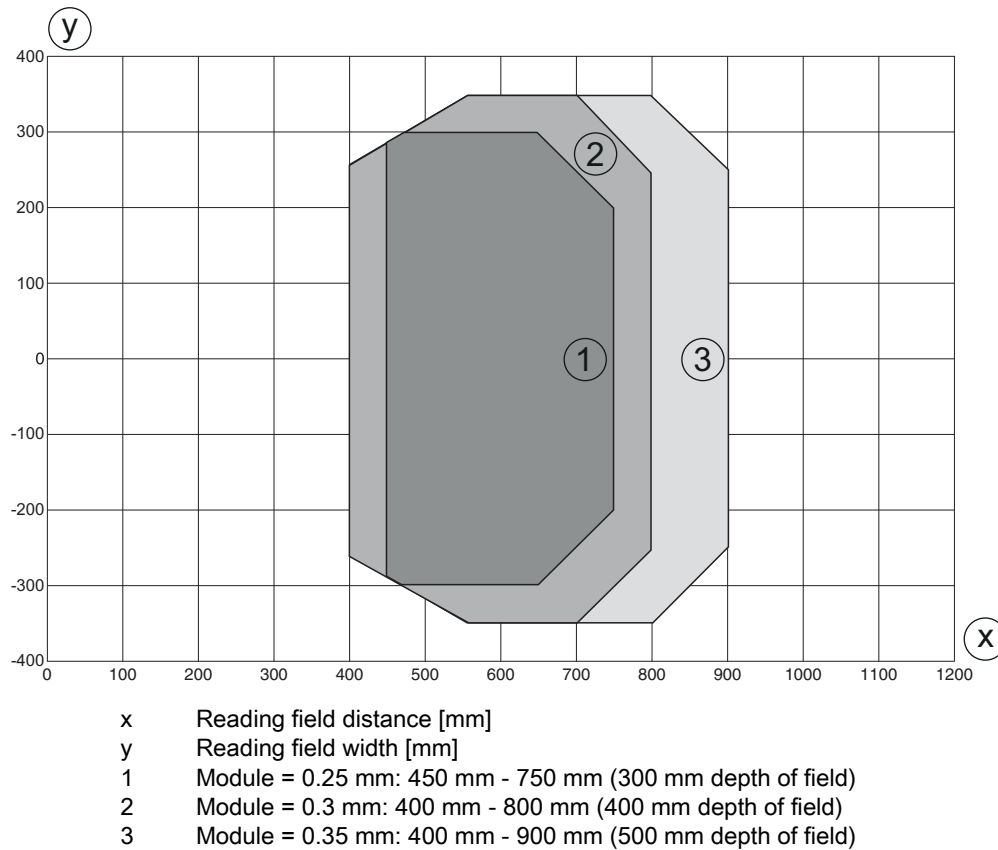


Figure 15.7: Reading field curve - Medium Density

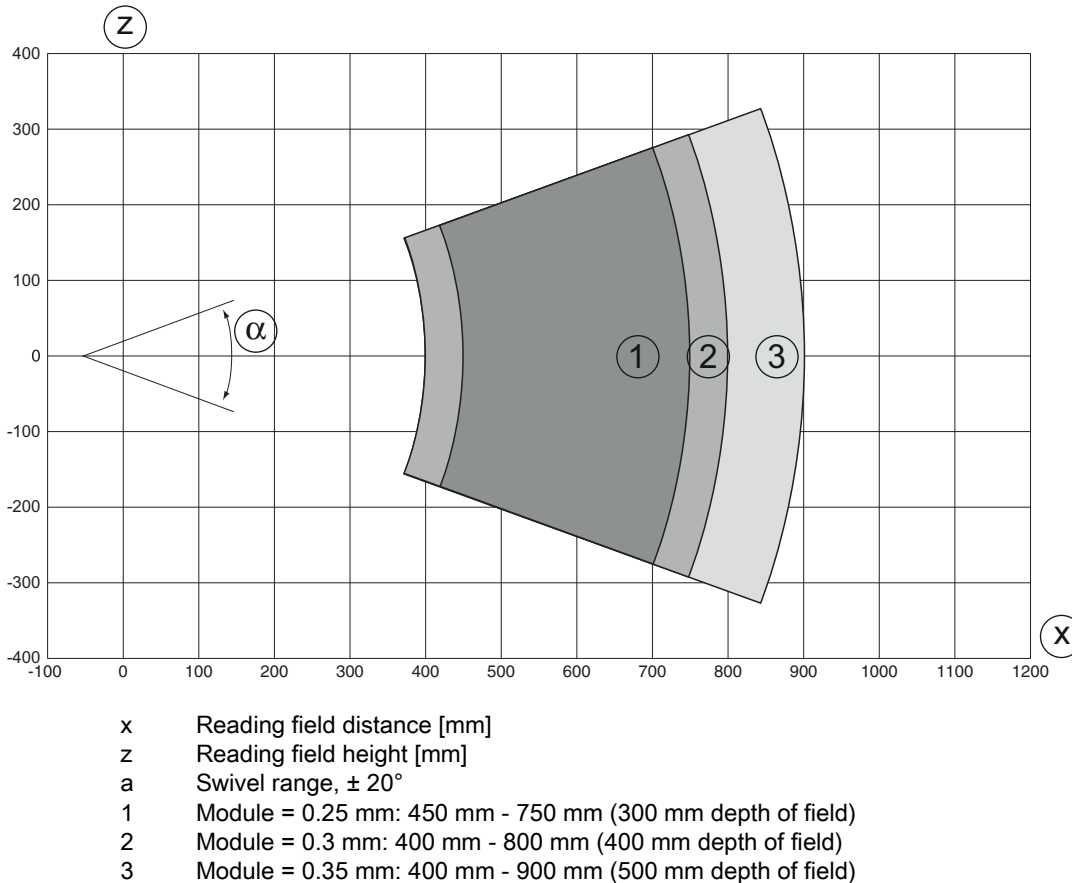


Figure 15.8: Lateral reading field curve - Medium Density for oscillating-mirror scanner

15.5.2 Low Density (F) - optics

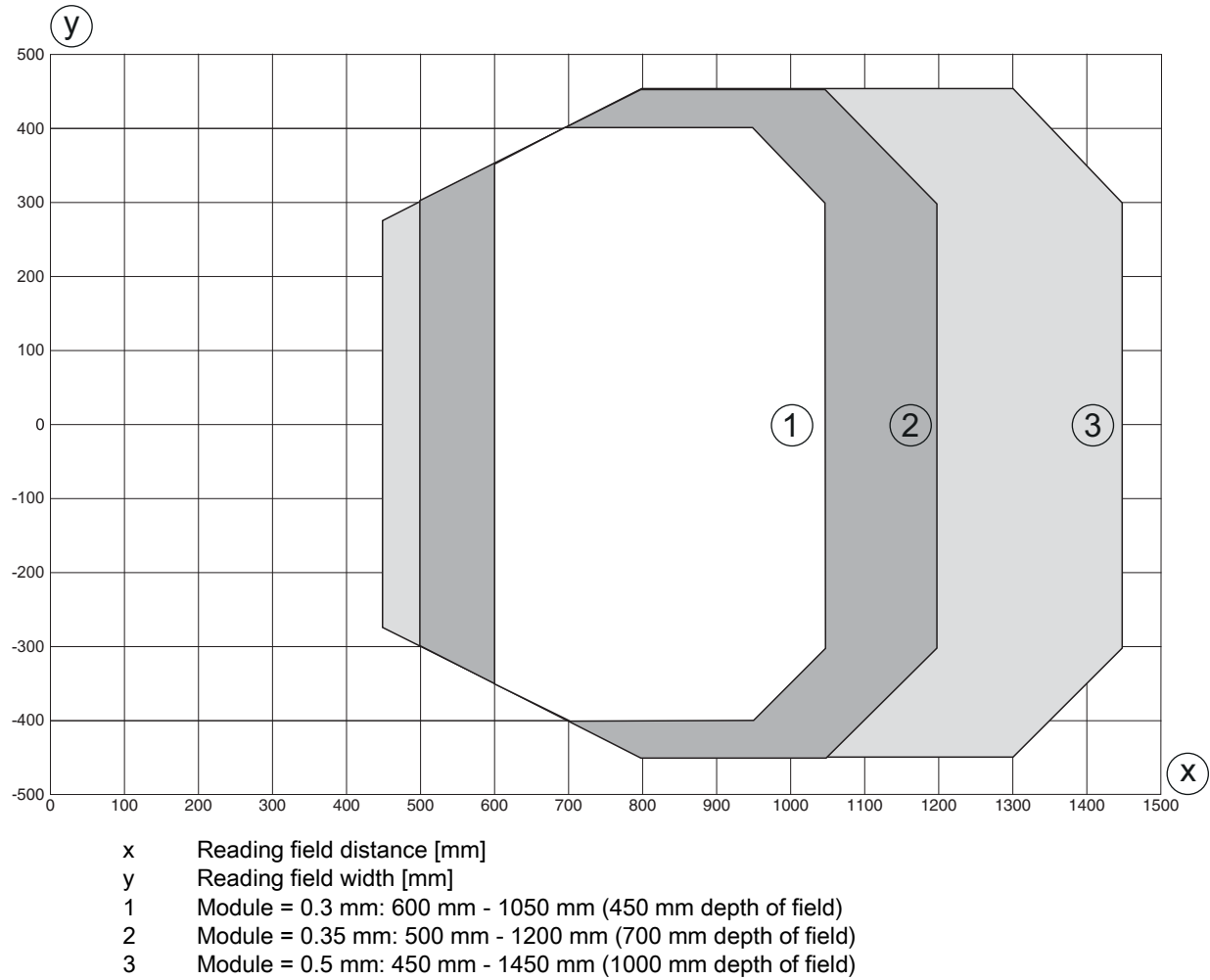


Figure 15.9: Reading field curve - Low Density for line scanner

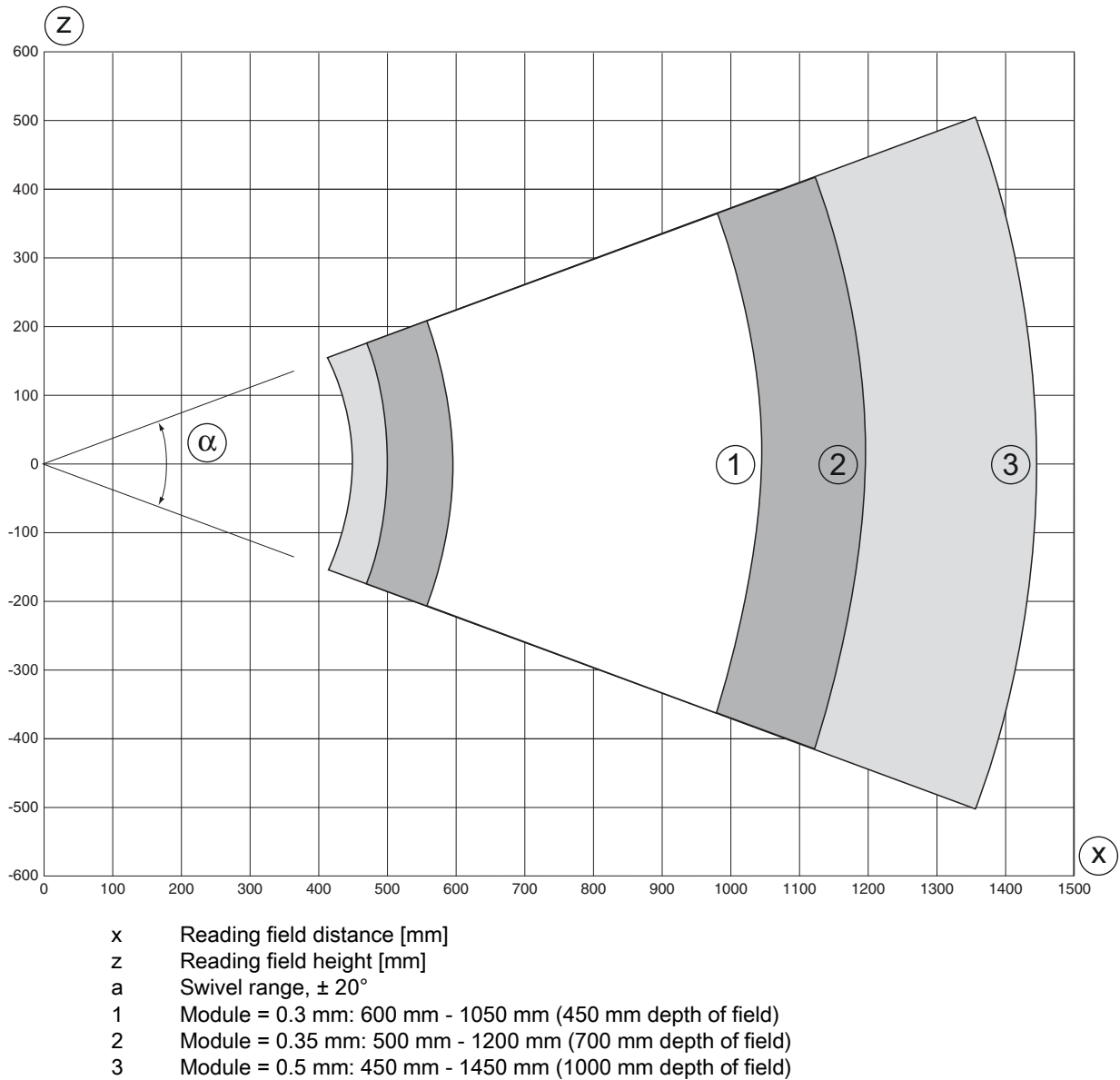


Figure 15.10: Lateral reading field curve - Low Density for oscillating-mirror scanner

## 16 Ordering information and accessories

### 16.1 Nomenclature

Part designation:

**BCL 6xxi SO 10X**

Table 16.1: Part number code

BCL	Bar code reader
6	Series: BCL 600
xx	Interface: 08: Ethernet 48: Profinet
i	Integrated network
S	Scanning principle: S: line scanner O: oscillating-mirror scanner
O	Optics: M: Medium Density (medium distance) F: Low Density (large distance)
X	Beam exit: 0 = perpendicular 1 = front



A list with all available device types can be found on the Leuze electronic website at [www.leuze.com](http://www.leuze.com).

### 16.2 Type overview

Table 16.2: BCL 608i part numbers

Part no.	Part designation	Description
50126969	BCL 608i SM 102	Line scanner, front beam exit, Medium Density
50126970	BCL 608i OM 100	Oscillating-mirror scanner, Medium Density
50126971	BCL 608i SF 102	Line scanner, front beam exit, Low Density
50126972	BCL 608i OF 100	Oscillating-mirror scanner, Low Density

### 16.3 Accessories

Table 16.3: Accessories

Part no.	Part designation	Description
Voltage supply connection cables		
50104557	K-D M12A-5P-5m-PVC	M12 socket for PWR, axial plug outlet, open cable end, cable length 5m
50104559	K-D M12A-5P-10m-PVC	M12 socket for PWR, axial plug outlet, open cable end, cable length 10m

Part no.	Part designation	Description
BUS IN connection cables, M12 plug, axial cable outlet, open cable end		
50106739	KB ET - 2000 - SA	Cable length 2 m
50106740	KB ET - 5000 - SA	Cable length 5 m
50106741	KB ET - 10000 - SA	Cable length 10 m
50106742	KB ET - 15000 - SA	Cable length 15 m
50106746	KB ET - 30000 - SA	Cable length 30 m
BUS IN connection cables, M12 plug to RJ-45 plug		
50109880	KB ET - 2000 - SA-RJ45	Cable length 2 m
50109881	KB ET - 5000 - SA-RJ45	Cable length 5 m
50109882	KB ET - 10000 - SA-RJ45	Cable length 10 m
50109883	KB ET - 15000 - SA-RJ45	Cable length 15 m
50109886	KB ET - 30000 - SA-RJ45	Cable length 30 m
BUS OUT to BUS IN connection cables, M12 plug to M12 plug		
50106899	KB ET - 2000 - SSA	Cable length 2 m
50106900	KB ET - 5000 - SSA	Cable length 5 m
50106901	KB ET - 10000 - SSA	Cable length 10 m
50106902	KB ET - 15000 - SSA	Cable length 15 m
50106905	KB ET - 30000 - SSA	Cable length 30 m
<b>Connector</b>		
50020501	KD 095-5A	M12 socket for voltage supply
50040155	KS 095-4A	M12 plug for SW IN/OUT
<b>USB cables</b>		
50107726	KB USB-Service	USB service cable
<b>External parameter memory</b>		
50108833	USB Memory Set	External USB parameter memory
Mounting devices		
50027375	BT 56	Mounting device for rod

**17 EC Declaration of Conformity**

The bar code readers of the BCL 600 series have been developed and manufactured in accordance with the applicable European standards and directives.

The manufacturer of the product, **Leuze electronic GmbH + Co. KG** in D-73277 Owen, possesses a certified quality assurance system in accordance with ISO 9001.



the **sensor** people

**EG-KONFORMITÄTS-  
ERKLÄRUNG**

**EC DECLARATION  
OF CONFORMITY**

**DECLARATION CE  
DE CONFORMITE**

Der Hersteller

The Manufacturer

Le constructeur

**Leuze electronic GmbH + Co. KG**  
In der Braike 1, PO Box 1111  
73277 Owen, Germany

erklärt, dass die nachfolgend aufgeführten Produkte den einschlägigen Anforderungen der genannten EG-Richtlinien entsprechen.

declares that the following listed products fulfil the relevant provisions of the mentioned EC Directives.

déclare que les produits identifiés suivants sont conformes aux directives CE mentionnées.

Produktbeschreibung:

Description of product:

Description de produit:

**Stationärer Barcodeleser**  
**BCL 6xxi ...**

**Stationary barcode reader**  
**BCL 6xxi ...**

**Lecteur de code à barres**  
**stationnaire**  
**BCL 6xxi ...**

Angewandte EG-Richtlinie(n):

Applied EC Directive(s):

Directive(s) CE appliquées:

**2004/108/EG**  
**2006/95/EG**

**2004/108/EC**  
**2006/95/EC**

**2004/108/CE**  
**2006/95/CE**

Angewandte Normen:

Applied standards:

Normes appliquées:

**EN 61000-6-2: 2005**  
**EN 60825-1: 2007**

**EN 61000-6-4: 2007 + A11: 2011**

*15. 1. 2015*  
Datum / Date / Date

*Ulrich Balbach*  
Ulrich Balbach, Geschäftsführer / Managing Director / Gérant

**Leuze electronic GmbH + Co. KG**  
In der Braike 1  
D-73277 Owen  
Telefon +49 (0) 7021 573-0  
Telefax +49 (0) 7021 573-199  
info@leuze.de  
www.leuze.com  
LEO-ZQM-148-04-FO

Leuze electronic GmbH + Co. KG, Sitz Owen, Registergericht Stuttgart, HRA 230712  
Persönlich haftende Gesellschafterin Leuze electronic Geschäftsführungs-GmbH,  
Sitz Owen, Registergericht Stuttgart, HRB 230550  
Geschäftsführer: Ulrich Balbach  
USt-IdNr. DE 145912521 | Zollnummer 2554232  
Es gelten ausschließlich unsere aktuellen Verkaufs- und Lieferbedingungen  
Only our current Terms and Conditions of Sale and Delivery shall apply



**18 Appendix**

**18.1 ASCII character set**

ASCII	Dec.	Hex.	Oct.	Designation	Meaning
NUL	0	00	0	NULL	Zero
SOH	1	01	1	START OF HEADING	Start of heading
STX	2	02	2	START OF TEXT	Start of text characters
ETX	3	03	3	END OF TEXT	Last character of text
EOT	4	04	4	END OF TRANSMISS.	End of transmission
ENQ	5	05	5	ENQUIRY	Request for data trans.
ACK	6	06	6	ACKNOWLEDGE	Positive acknowledgment
BEL	7	07	7	BELL	Bell signal
BS	8	08	10	BACKSPACE	Backspace
HT	9	09	11	HORIZ. TABULATOR	Horizontal tabulator
LF	10	0A	12	LINE FEED	Line feed
VT	11	0B	13	VERT. TABULATOR	Vertical tabulator
FF	12	0C	14	FORM FEED	Form feed
CR	13	0D	15	CARRIAGE RETURN	Carriage return
SO	14	0E	16	SHIFT OUT	Shift out
SI	15	0F	17	SHIFT IN	Shift in
DLE	16	10	20	DATA LINK ESCAPE	Data link escape
DC1	17	11	21	DEVICE CONTROL 1	Device control character 1
DC2	18	12	22	DEVICE CONTROL 2	Device control character 2
DC3	19	13	23	DEVICE CONTROL 3	Device control character 3
DC4	20	14	24	DEVICE CONTROL 4	Device control character 4
NAK	21	15	25	NEG. ACKNOWLEDGE	Negative acknowledge
SYN	22	16	26	SYNCHRONOUS IDLE	Synchronization
ETB	23	17	27	EOF TRANSM. BLOCK	End of data transmission block
CAN	24	18	30	CANCEL	Invalid
EM	25	19	31	END OF MEDIUM	End of medium
SUB	26	1A	32	SUBSTITUTE	Substitution
ESC	27	1B	33	ESCAPE	Escape
FS	28	1C	34	FILE SEPARATOR	File separator
GS	29	1D	35	GROUP SEPARATOR	Group separator
RS	30	1E	36	RECORD SEPARATOR	Record separator

ASCII	Dec.	Hex.	Oct.	Designation	Meaning
US	31	1F	37	UNIT SEPARATOR	Unit separator
SP	32	20	40	SPACE	Space
!	33	21	41	EXCLAMATION POINT	Exclamation point
"	34	22	42	QUOTATION MARK	Quotation mark
#	35	23	43	NUMBER SIGN	Number sign
\$	36	24	44	DOLLAR SIGN	Dollar sign
%	37	25	45	PERCENT SIGN	Percent sign
&	38	26	46	AMPERSAND	Ampersand
'	39	27	47	APOSTROPHE	Apostrophe
(	40	28	50	OPEN. PARENTHESIS	Open parenthesis
)	41	29	51	CLOS. PARENTHESIS	Closed parenthesis
*	42	2A	52	ASTERISK	Asterisk
+	43	2B	53	PLUS	Plus sign
,	44	2C	54	COMMA	Comma
-	45	2D	55	HYPHEN (MINUS)	Hyphen
.	46	2E	56	PERIOD (DECIMAL)	Period (decimal)
/	47	2F	57	SLANT	Slant
0	48	30	60	0	Number
1	49	31	61	1	Number
2	50	32	62	2	Number
3	51	33	63	3	Number
4	52	34	64	4	Number
5	53	35	65	5	Number
6	54	36	66	6	Number
7	55	37	67	7	Number
8	56	38	70	8	Number
9	57	39	71	9	Number
:	58	3A	72	COLON	Colon
;	59	3B	73	SEMICOLON	Semicolon
<	60	3C	74	LESS THAN	Less than
=	61	3D	75	EQUALS	Equals
>	62	3E	76	GREATER THAN	Greater than
?	63	3F	77	QUESTION MARK	Question mark
@	64	40	100	COMMERCIAL AT	Commercial AT

ASCII	Dec.	Hex.	Oct.	Designation	Meaning
A	65	41	101	A	Capital letter
B	66	42	102	B	Capital letter
C	67	43	103	C	Capital letter
D	68	44	104	D	Capital letter
E	69	45	105	E	Capital letter
F	70	46	106	F	Capital letter
G	71	47	107	G	Capital letter
H	72	48	110	H	Capital letter
I	73	49	111	I	Capital letter
J	74	4A	112	J	Capital letter
K	75	4B	113	K	Capital letter
L	76	4C	114	L	Capital letter
M	77	4D	115	M	Capital letter
N	78	4E	116	N	Capital letter
O	79	4F	117	O	Capital letter
P	80	50	120	P	Capital letter
Q	81	51	121	Q	Capital letter
R	82	52	122	R	Capital letter
S	83	53	123	S	Capital letter
T	84	54	124	T	Capital letter
U	85	55	125	U	Capital letter
V	86	56	126	V	Capital letter
W	87	57	127	W	Capital letter
X	88	58	130	X	Capital letter
Y	89	59	131	Y	Capital letter
Z	90	5A	132	Z	Capital letter
[	91	5B	133	OPENING BRACKET	Opening bracket
\	92	5C	134	REVERSE SLANT	Reverse slant
]	93	5D	135	CLOSING BRACKET	Closing bracket
^	94	5E	136	CIRCUMFLEX	Circumflex
_	95	5F	137	UNDERScore	Underscore
'	96	60	140	GRAVE ACCENT	Grave accent
a	97	61	141	a	Lower case letter
b	98	62	142	b	Lower case letter

ASCII	Dec.	Hex.	Oct.	Designation	Meaning
c	99	63	143	c	Lower case letter
d	100	64	144	d	Lower case letter
e	101	65	145	e	Lower case letter
f	102	66	146	f	Lower case letter
g	103	67	147	g	Lower case letter
h	104	68	150	h	Lower case letter
i	105	69	151	i	Lower case letter
j	106	6A	152	j	Lower case letter
k	107	6B	153	k	Lower case letter
l	108	6C	154	l	Lower case letter
m	109	6D	155	m	Lower case letter
n	110	6E	156	n	Lower case letter
o	111	6F	157	o	Lower case letter
p	112	70	160	p	Lower case letter
q	113	71	161	q	Lower case letter
r	114	72	162	r	Lower case letter
s	115	73	163	s	Lower case letter
t	116	74	164	t	Lower case letter
u	117	75	165	u	Lower case letter
v	118	76	166	v	Lower case letter
w	119	77	167	w	Lower case letter
x	120	78	170	x	Lower case letter
y	121	79	171	y	Lower case letter
z	122	7A	172	z	Lower case letter
{	123	7B	173	OPENING BRACE	Opening brace
	124	7C	174	VERTICAL LINE	Vertical line
}	125	7D	175	CLOSING BRACE	Closing brace
~	126	7E	176	TILDE	Tilde
DEL	127	7F	177	DELETE (RUBOUT)	Delete

## 18.2 Bar code samples

### 18.2.1 Module 0.3



Figure 18.1: Code type 01: Interleaved 2 of 5

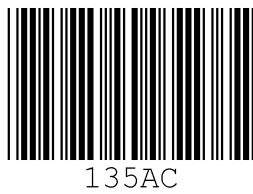


Figure 18.2: Code type 02: Code 39

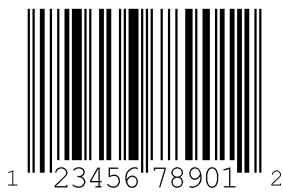


Figure 18.3: Code type 06: UPC-A



Figure 18.4: Code type 07: EAN 8

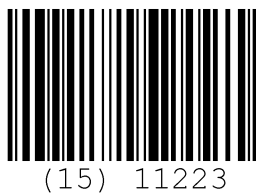


Figure 18.5: Code type 08: EAN 128



Figure 18.6: Code type 10: EAN 13 Add-on



Figure 18.7: Code type 11: Codabar



Figure 18.8: Code 128

### 18.2.2 Module 0.5

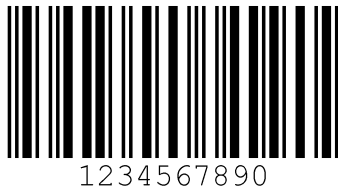


Figure 18.9: Code type 01: Interleaved 2 of 5

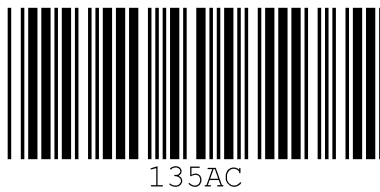


Figure 18.10: Code type 02: Code 39

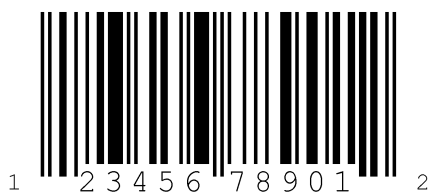


Figure 18.11: Code type 06: UPC-A



Figure 18.12: Code type 07: EAN 8



Figure 18.13: Code type 08: EAN 128

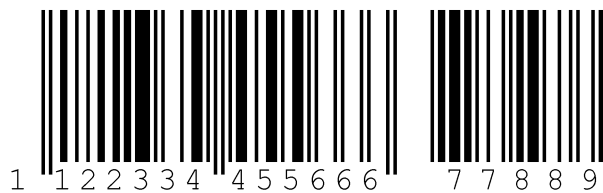


Figure 18.14: Code type 10: EAN 13 Add-on

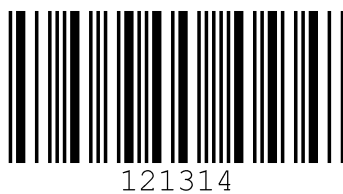


Figure 18.15: Code type 11: Codabar



Figure 18.16: Code 128